



HAGGAI SURGICAL
INTERNATIONAL



Cardiovascular Instruments Catalogue



HAGGAI
SURGICAL INTERNATIONAL

Cardiovascular Instruments Herz - Kreislauf - Instrumente Instrumentos cardiovasculares
Instruments cardiovasculaire Strumenti cardiovascolari

HAGGAI

SURGICAL INTERNATIONAL

• Thank you for your interest in haggai surgical and cardiovascular instruments. We remain committed to providing the highest quality products and customer service.

In this special catalogue you will find a comprehensive range of thoracic and cardiovascular instruments, which have been developed following detailed consultation with leading cardiovascular surgeons. These instruments in conjunction with Haggai Surgical General Instruments provides complete solution for thoracic, cardiovascular and organ implant surgeries.

We appreciate your patronage and look forward to a successful relationship with you.




Cardiovascular Specialty Instruments

HAGGAI SURGICAL INTERNATIONAL founded in 1992, is a trusted surgical instrument company in the specialty surgical instrument market. We are the largest privately-held full-line surgical instrument company offering over 25,000 instruments across all surgical specialties. The breadth and depth of our product line, combined with our commitment to total quality, makes us the best choice in the industry for overall value.

This catalog offers only a glimpse at our comprehensive cardiovascular specialty instrument line, which consists of over 2,000 patterns, manufactured in Pakistan from high quality stainless steel or titanium.

For more information about Haggai Surgical , please visit www.haggaisurgical.com



 **Saddar Cantt Dhalay Sialkot 51310 Punjab Pakistan**
telephone: (052) 4354217  +92 3246042419 / +92 3246042453

 www.haggaisurgical.com  haggaisurgical@gmail.com



INSTRUCTIONS FOR REPROCESSING OF REUSABLE SURGICAL INSTRUMENTS

The following instructions are for all reusable medical devices supplied by haggai surgical , unless stated otherwise with the packaging of the product. These instructions are intended for use only by persons with the required specialist knowledge and training.

Warnings

Follow instructions and warnings as issued by the manufacturers of any decontaminants, disinfectants and cleaning agents. Wherever possible avoid use of mineral acids and harsh, abrasive agents.

No part of the process shall exceed 140 °C.

Some sensitive materials (e.g. Aluminium) are damaged by high alkaline solutions (pH>10).

Devices with long, narrow cannula, hinges and blind holes require particular attention during cleaning.

Note: When reprocessing medical devices, always handle with care, wearing protective clothing, gloves and eye-wear in accordance with local health & safety procedures.

Limitations on Reprocessing

Repeated processing has minimal effect on these instruments. End of life normally determined by wear and damage in use.

Any specific limitations on the number of reprocessing cycles shall be made available with instrument.

From Point of Use

Whenever possible, do not allow blood, debris or bodily fluids to dry on instruments. For best results and to prolong the life of the medical device reprocess immediately after use. If they cannot be reprocessed immediately, use an enzymatic foam spray cleaner to help prevent soil from drying.

Preparation for Decontamination

Process all the instruments as soon as it is reasonably practical following use.

Disassemble only where intended, without the use of tools unless specifically provided by the manufacturer. Instructions for dis assembly are available with the device, where required.

Cleaning: Automated

Use only either CE marked or validated washer-disinfector machines and low foaming, non-ionizing cleaning agents and detergents following the manufacturer's instructions for use, warnings, concentrations and recommended cycles.

Load instruments carefully, with any box joints and hinges open and so that any fenestration in instruments can drain. Place heavy instruments with care in the bottom of containers, taking care not to overload wash baskets.

Place instruments with concave surfaces facing down to prevent pooling of water.

Where possible, use appropriate attachments to flush inside reamers and devices with lumens or cannula. Ensure that soft, high purity water which is controlled for bacterial endo-toxins is used in the final rinse stage.

Note: Automated cleaning may not be suitable for all lumens and cannula in which case clean manually with a water jet gun, if available, and an appropriate brush (and stilette if provided) that reaches the depth of the feature. After manually cleaning, pass all devices through an automatic cleaning cycle to achieve disinfection.

Note: These instruments have been validated using a washer-disinfector cycle validated to include two cold rinses at <35 °C, a detergent cycle and a rinse cycle both at >50°C, a disinfection cycle operating at a temperature of between 80 °C and 90 °C for a minimum holding time of 1 minute (actual holding time in excess of 2 minutes 50 seconds) and a 20 minute drying cycle. The detergent used was low foaming, non-ionizing spray wash detergent cleaner (max 12pH) and the rinse aid a neutral pH low foaming, non-ionic surfactant with isopropyl alcohol.

Cleaning: Manual

Manual cleaning is not advised if an automatic washer-disinfector is available. If the equipment is not available, use the following process:-

1. Use a double sink system (wash/rinse) dedicated for instrument cleaning (not used for hand washing). Ensure that the water temperature does not exceed 35 of the re-processor to ensure that the reprocessing as actually performed using equipment, materials and personnel in the reprocessing facility achieve the desired result. This requires validation and routine monitoring of the process. Likewise any deviation by the re-processor from the instructions provided must be properly evaluated for effectiveness and potential adverse consequences.
2. In the first sink, keeping the instrument submerged, with an autoclavable brush, apply CE marked cleaning solution to all surfaces until all soil has been removed. Pay particular attention to serrations, teeth, ratchets and hinges, always brushing away from the body and avoiding splashing. Ensure rongeurs and hinged instruments are thoroughly cleaned in both open and closed positions.
3. In the second sink, rinse instruments thoroughly with soft, high purity water which is controlled for bacterial endotoxins, so that the water reaches all parts of the instrument, then carefully hand dry or use a drying cabinet.

Note: Manual Cleaning is NOT a disinfection process: When manual cleaning is used it may not be possible to disinfect the device prior to further handling.

Cleaning Inspection

After cleaning visually inspect, visually inspect all surfaces, cannulations, ratchets, joints, holes and lumens for complete removal of soil and fluids. If ANY soil or fluid is still visible, return the instrument for repeat decontamination.

Maintenance

Apply surgical grade lubricant to hinges, joints and moving parts as per the lubricant manufacturer's instructions.



Inspection and Functional Testing

Visually inspect and check: - all instruments for damage and wear; cutting edges are free from nicks and present a continuous edge; jaws and teeth align correctly; all articulated instruments have a smooth movement without excess play; locking mechanisms (such as ratchets) fasten securely and close easily; long, slender instruments are not distorted; any component parts fit and assemble correctly with mating components.

Remove for repair and replacement any blunt, worn out, flaking, fractured or damaged instruments.

Note: If an instrument is returned to the manufacturer / supplier, the instrument must be decontaminated and sterilized and be accompanied with the relevant documented evidence.

Packaging

All instruments to be packed following local protocol in accordance with customers.

Sterilization

Autoclave should comply with the requirements of, and be validated and maintained in accordance with ANSI/AAMI ST79.

Pre-Vacuum moist heat sterilization operating at temperature 132 °C bar for a minimum holding time of 4 minutes always following the instructions of the machine manufacturer. When sterilizing multiple instruments in one autoclave cycle, ensure that the sterilizer manufacturers stated maximum load is not exceeded.

Ensure instruments are dry before sterilization.

Sterilization (Outside)

Autoclave should comply with the requirements of, and be validated and maintained in accordance with EN 285, EN 13060, EN ISO 17665.

Either CE marked or validated vacuum autoclave operating at 134-137 °C bar for a minimum holding time of 3 minutes always following the instructions of the machine manufacturer. When sterilizing multiple instruments in one autoclave cycle, ensure that the sterilizer manufacturers stated maximum load is not exceeded.

Storage

Ensure instruments are dry before storage, and stored in dry, clean conditions at an ambient room temperature.

Additional Information

Other forms of cleaning (i.e. ultrasonic) and sterilization (i.e. Low temperature steam and Formaldehyde, Ethylene Oxide and Gas Plasma) are available. However, always follow the instructions for use as issued by the manufacturer and always consult with them if in any doubt over the suitability of any process used.

Cleaning and sterilizing guidelines are available in HTM 2030 and HTM 2010.

Note: It is the responsibility of the re-processor to ensure that the reprocessing as actually performed using equipment, materials and personnel in the reprocessing facility achieve the desired result. This requires validation and routine monitoring of the process. Likewise any deviation by the re-processor from the instructions provided must be properly evaluated for effectiveness and potential adverse consequences.



TECHNICAL TERMS TRANSLATION TABLE

English	German	French	Italian	Spanish
Accessories	Zubehör	Accessoires	Accessori	Accesorios
Adjustable	Verstellbar	Réglable	Adeguabile	Ajustable
Adult size	Erwachsenergröße	Taille adulte	Misura Adulto	Tamaño adulto
Angled	Gewinkelt	Coudé	Piegato	Acodado
Arm	Arm	Bras	Braccio	Braso
Articulation	Gelenkverbindung	Articulation	Articolazione	Articulación
Atrauma	Atraumatisch	Atraumatique	Atraumatico	Atraumático
Ball Type	Kugelende	Embout sphérique	Puntale A Palla	Punta con bola
Blade	Blatt, Valve	Valve	Valva	Valva
Blunt	Stumpf	Mousse	Smusso	Romo
Bone	Knochen	Os	Ossa	Hueso
Bone rongeur	Knochenzange	Gouge	Sgorbia	Gubia
Child size	Kindergröße	Taille enfant	Misura Pediatrica	Tamaño niño
Circumflex	Zirkumflex	Circonflexe	Circonflesso	Circunflejo
Counterbalanced	Gegengewichtig	Contre poids	Contropeso	Contra peso
Curved	Gebogen	Courbe	Curvo	Curvo
Delicate	Ampfindlich	Délicat	Delicato	Delicado
Depth	Tiefe	Profondeur	Profondità	Profundidad
Dissecting	Sezierung	Dissection	Dissezione	Dissección
Dissector	Dissektor	Dissecteur	Dissettore	Disector
External	Aussen Liegend	Externe	Esterno	Externo
Fine	Dünn, Fein	Fin	Fino	Fino
Fingerplate	Fingerplatte	Contrôle au doigt	Controllo Digitale	Control digital
Flat	Flach, Eben	Plat	Piatto	Plano
Forceps	Pinzette	Pince	Pinza	Pinza
Hand retractor	Handretraktor	Valve à main	Divaricatore A Mano	Separador a mano
Handle	Griff, Stiel	Manche	Manico	Mango
Height	Höhe	Hauteur	Altezza	Altura
Hook	Haken	Crochet	Gancio	Gancho
Infant	Kleinkind	Nourisson	Bambino	Niño de pecho
Jaws	Kinnbacken	Mors	Morso	Boca
Knot pusher	Schlingengabel	Pousse noeud	Stringinodo	Empujador de nudo
Large	Gross	Grand	Grande	Alto
Left	Links	Gauche	Sinistro	A la Izquierda
Length	Länge	Longueur	Lunghezza	Longitud
Ligature	Unterbindung	Ligature	Ligatura	Ligatura
Lung	Lunge	Poumon	Polmone	Pulmón
Medium	Mittel	Moyen	Medio	Medio
Multipurpose	Mehrzweck	Multi-fonctions	Funzione Multipla	Multi-función
Needle holder	Nadelhalter	Porte aiguille	Portaghi	Porta agujas
Needle pulling	Nadelaufnehmer	À saisir les aiguilles	Pinza Stringi Ago	Para coger las agujas
Newborn	Neugeborenen	Nouveau né	Neonato	Recién nacido
On Flat	Flach	Sur le plat	Piatto En	En el plano
Opening	Öffnung	Ouverture	Apertura	Apertura
Pair	Paar	Paire	Paia	Pár
Prong	Zinke	Griffe	Denti	Dientes
Rack	Gestell	Crémaillère	Cremagliera	Cremallera
Raspatory	Schabeisen	Rugine	Raschiatoio	Raspador
Ratchet	Sperre	Crémaillère	Cremagliera	Cremallera
Retractor	Retraktor	Ecarteur	Divaricatore	Separador
Rib contractor	Rippenschliesser	Rapprocheur de côtes	Appaltotore DI Costole	Aproximador costal
Right	Rechts	Droite	Destra	A la derecha
Ring Handle	Ringgriff	A anneaux	Ad Anelli	Con anillos
Ring Tip	Ringspitze	Embout en anneau	Punta Ad Anelli	Punta con anillo
Rongeur	Knochenzange	Gouge	Sgorbia	Gubia
Round	Rund	Rond	Ton Do	Redondo
Scissors	Schere	Ciseaux	Forbici	Tijeras
Serrated	Gezähnt	Strié	Striato	Estriado
Shanks	Schenkel	Branches	Ramo	Mango
Sharp	Scharf	Acéré	Acute	Acerado
Small	Klein	Petit	Piccolo	Pequeño
Smooth	glatt	Lisse	Liscio	Liso
Spatula	Spatel	Spatule	Spatula	Espátula
Straight	Gerade	Droit	Dritto	Recto
Suction tube	Saugrohr	Canule d'aspiration	Canula DI Aspirazione	Cánula de aspiración
Suture passer	Suture passer	Tire-Fil	Passa-fili	Pasa-hilo
Teeth	Zähne	Dents	Denti	Dientes
Thermic purge	Thermische	Purgeur	Purgatore	Purgador
Thin	Dünn	Etroit	Ristretto	Estrecho
Thread	Faden, Zwirn	Torsade	Filo	Hilo
Tip	Spitze	Bout	Estremità	Punta
Tissue seizing	Gewebegrosse	Préhension	Presca	Presión
Twister	Dreher	Pince à torsader	Cerchiatura	Pinza para retorcer
Tying forceps	Binden	Dissection	Dissezione	Dissección
Vessel	Gefäß	Vaisseau	Vaso	Vaso
Width	Breite / Weite	Largeur	Larghezza	Anchura
Wire Cutter	Drahtschneider	Coupe-Fils	Taglia Cavo	Alicate para cortar alambre
With / Without	Mit / Ohne	Avec / Sans	Con / Senza	Con / Sin



MEASUREMENTS, STANDARDS, AND CONVERSIONS

Millimeter Equivalents

MM = INCHES	MM = INCHES	MM = INCHES
.1 = .00384	29.0 = 1.14173	65.0 = 2.55905
.2 = .00787	30.0 = 1.18110	66.0 = 2.59842
.3 = .01181	31.0 = 1.22047	67.0 = 2.63779
.4 = .01575	32.0 = 1.25984	68.0 = 2.67716
.5 = .01968	33.0 = 1.29921	69.0 = 2.71653
.6 = .02362	34.0 = 1.33858	70.0 = 2.75590
.7 = .02756	35.0 = 1.37795	71.0 = 2.79527
.8 = .03149	36.0 = 1.41732	72.0 = 2.83464
.9 = .03543	37.0 = 1.45669	73.0 = 2.87401
1.0 = .03937	38.0 = 1.49606	74.0 = 2.91338
2.0 = .07874	38.1 = 1.5 in	75.0 = 2.95275
3.0 = .11811	39.0 = 1.53543	76.0 = 2.99212
4.0 = .15748	40.0 = 1.57480	76.2 = 3.0 in
5.0 = .19685	41.0 = 1.61417	77.0 = 3.03149
6.0 = .23622	42.0 = 1.65354	78.0 = 3.07056
7.0 = .27559	43.0 = 1.69291	79.0 = 3.11023
8.0 = .31496	44.0 = 1.73228	80.0 = 3.14960
9.0 = .35433	45.0 = 1.77165	81.0 = 3.18897
10.0 = .39370	46.0 = 1.81102	82.0 = 3.22834
11.0 = .43307	47.0 = 1.85039	83.0 = 3.26771
12.0 = .47244	48.0 = 1.88976	84.0 = 3.30708
12.7 = .5 in	49.0 = 1.92913	85.0 = 3.34645
13.0 = .51181	50.0 = 1.96350	86.0 = 3.38582
14.0 = .55118	50.8 = 2.0 in	87.0 = 3.42519
15.0 = .59055	51.0 = 2.00787	88.0 = 3.46456
16.0 = .62992	52.0 = 2.04724	88.9 = 3.5 in
17.0 = .66929	53.0 = 2.08661	89.0 = 3.50393
18.0 = .70866	54.0 = 2.12598	90.0 = 3.54330
19.0 = .74803	55.0 = 2.16535	91.0 = 3.58267
20.0 = .78740	56.0 = 2.20472	92.0 = 3.62204
21.0 = .82677	57.0 = 2.24409	93.0 = 3.66141
22.0 = .86614	58.0 = 2.28346	94.0 = 3.70078
23.0 = .90551	59.0 = 2.32283	95.0 = 3.74015
24.0 = .94488	60.0 = 2.36220	96.0 = 3.77952
25.0 = .98425	61.0 = 2.40157	97.0 = 3.81889
25.4 = 1.0 in	62.0 = 2.44094	98.0 = 3.85826
26.0 = 1.02362	63.0 = 2.48031	99.0 = 3.89763
27.0 = 1.06299	63.5 = 2.5 in	100.0 = 3.93700
28.0 = 1.10236	64.0 = 2.51968	101.6 = 4.0 in

Needle Tubing Equivalents

SIZE GAUGE NO.	APPROX. O.D.	
	MM	INCHES
26	0.4	.018
24	0.5	.022
22	0.7	.028
20	0.9	.035
18	1.3	.053
16	1.6	.065
14	2.1	.083
12	2.8	.109
10	3.4	.134
8	4.2	.165
6	5.1	.203

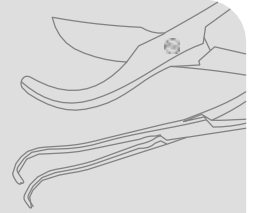
Suction Tubing Equivalents

SIZE FRENCH GAUGE NO.	APPROX. O.D.	
	MM	INCHES
3	1.0	.039
4	1.3	.053
5	1.7	.066
6	2.0	.079
7	2.3	.092
8	2.7	.105
9	3.0	.118
10	3.3	.131
11	3.7	.144
12	4.0	.158
13	4.3	.170
14	4.7	.184
15	5.0	.197
16	5.3	.210



TABLE OF CONTENTS

Cardiovascular Instruments
Herz - Kreislauf - Instrumente
Instrumentos cardiovasculares
Instruments cardiovasculaires
Strumenti cardiovascolari



• Page • Seite • página • page • pagina 1 - 76

HAGGAI

SURGICAL INTERNATIONAL



THORAX, CARDIOVASCULAR SURGERY

Cardiovascular conditions involve both the heart and blood vessels, and are treated by cardiovascular surgeons. Vascular and cardiovascular surgeries share some of a wide range of vascular instruments and operative techniques, and there is a vast wealth of parallel technological development and shared research.

At haggai we value this research and close interaction between surgeons and R&D teams has resulted in constantly developing portfolio of products for the speciality of cardiac, thoracic and vascular surgery.

We understand the importance of good visibility during the surgical procedure our diverse instruments and spreaders provide surgeons with ideal conditions and optimum visibility of the operative field.

Our cardio range include but are not limited to the following Vessel and Bulldog- Clamps, Vessel Clips, Atraumatic Vascular Clamps, Atraumatic Forceps, Rib Spreaders, Atrium, Aortic- Instruments, Retractors, Self-retaining Retractors, Probes, Instruments for Dilatation, Micro- Instruments, General Surgical Instruments.

Thorax, Herz- und Gefäßchirurgie

Torácico, Cirugía cardiovascular

Thorax, Chirurgie cardio-vasculaire

Torace, Chirurgia cardiovascolare

HAGGAI

SURGICAL INTERNATIONAL

Rib Shears
Rippenscheren
Costótomos
Costotomes
Costotomi

Bone Shear

Catalog #	Size
HS-C-010-23	23 cm (9")



Rib Shear

Catalog #	Size
HS-C-013-22	23 cm (9")



Gluck Rib Shear Drawing Cut

Catalog #	Size
HS-C-017-22	21 cm (8 1/4")



Bethune Rib Shear

Catalog #	Size
HS-C-026-34	34 cm (13 1/2")



Sauerbruch Rib Shear

Catalog #	Size
HS-C-031-26	26 cm (10 1/4")





Rib Shears, Sternum Chisel
 Rippenscheren, Sternummeißel
 Costótomos, Cíncel para esternón
 Costotomes, Ciseau-burin à sternum
 Costotomi, Scalpello per sterno

Giertz-Stille Rib Shear

Catalog #	Size
HS-C-037-27	24.5 cm (9 ¾")



Brunner Rib Shear For Right Hand

Catalog #	Size
HS-C-047-28	32 cm (12 ½")



Brunner Rib Shear For Left Hand

Catalog #	Size
HS-C-049-28	32 cm (12 ½")



Lebsche Sternum Chisel

Catalog #	Size
HS-C-051-24	24.5 cm (9 ¾")



Rib Spreader For Babies, With Two Pairs of Lateral Blades, Titanium

Catalog #	Blades Size, Blade Size, Spread
HS-C-058-00	9 x 20 mm, 9 x 10 mm, 52 mm



HAGGAI

SURGICAL INTERNATIONAL

Rib Spreader
Rippensperrer
Separadores costales
Ecarteurs des côtes
Divaricatori costali

Cooley Rib Spreader For Babies, Aluminium

Catalog #	Blade Size, Spread
HS-C-060-01	12 x 16 mm, 95 mm



Cooley Rib Spreader For Children , Aluminium

Catalog #	Blade Size, Spread
HS-C-060-02	15 x 30 mm, 140 mm
HS-C-060-03	21 x 44 mm, 150 mm



Cooley Rib Spreader For Adults, Aluminium

Catalog #	Blade Size, Spread
HS-C-060-04	35 x 50 mm, 200 mm



Finochietto-Infant Rib Spreader For Babies, Aluminium

Catalog #	Blade Size, Spread
HS-C-071-01	15 x 15 mm, 75 mm



Finochietto-Baby Rib Spreader For Children, Aluminium

Catalog #	Blade Size, Spread
HS-C-072-01	31 x 31 mm, 100 mm





Rib Spreader
Rippensperrer
Separadores costales
Ecarteurs des côtes
Divaricatori costali

Finochietto Rib Spreader For Adults, Aluminium

Catalog #	Blade Size, Spread
HS-C-073-01	40 x 45 mm, 135 mm
HS-C-073-02	52 x 62 mm, 175 mm
HS-C-073-03	85 x 65 mm, 175 mm



Burford Rib Spreader With 2 Pairs of Lateral Blades , Aluminium

Catalog #	Blade Size, Spread
HS-C-075-01	47 x 62 mm, 65 x 62 mm, 200 mm
HS-C-075-02	47 x 62 mm, 65 x 62 mm, 260 mm
HS-C-075-03	47 x 62 mm, 65 x 62 mm, 300 mm



Castaneda Rib Spreader For Babies, Aluminium

Catalog #	Blade Size, Spread
HS-C-077-01	10.5 x 32 mm, 65 mm



Castaneda Rib Spreader For Infant, Aluminium

Catalog #	Blade Size, Spread
HS-C-077-02	12 x 45 mm, 70 mm
HS-C-077-03	15 x 60 mm, 120 mm



Finochietto (Modif) Rib Spreader

Catalog #	Blade Size, Spread
HS-C-081-01	14 x 15 mm, 120 mm



HAGGAI

SURGICAL INTERNATIONAL

Rib Spreader
Rippensperrer
Separadores costales
Ecarteurs des côtes
Divaricatori costali

Haight Rib Spreader

Catalog #	Blade Size, Spread
HS-C-086-90	30 x 30 mm, 120 mm



Morse-Favaloro Rib Spreader For Children, 4 Moveable Blades

Catalog #	Blade Size, Spread
HS-C-091-01	17 x 22 mm, 160 mm



Morse Rib Spreader For Adults, 4 Moveable Blades

Catalog #	Blade Size, Spread
HS-C-094-00	22 x 27 mm, 200 mm



Tuffier Rib Spreader Stainless Steel

Catalog #	Blade Size, Spread
HS-C-096-00	45 x 45 mm, 160 mm



Finochietto-Baby Rib Spreader Stainless Steel

Catalog #	Blade Size, Spread
HS-C-101-00	14 x 15 mm, 75 mm





Rib Spreader
Rippensperrer
Separadores costales
Ecarteurs des côtes
Divaricatori costali

Finochietto Rib Spreader
Stainless Steel

Catalog #	Blade Size, Spread
HS-C-102-01	30 x 45 mm, 150 mm
HS-C-102-02	46 x 62 mm, 190 mm
HS-C-102-03	80 x 65 mm, 190 mm



DeBakey Rib Spreader Complete
With 3 Pairs of Blades Ref: HS-C-105-02 to HS-C-105-04

Catalog #	Spread
HS-C-105-00	150 mm



DeBakey Rib Spreader
Spreader Only

Catalog #	Spread
HS-C-105-01	150 mm



DeBakey Lateral Blades Pair
Fig. 1

Catalog #	Blade Size
HS-C-105-02	30 x 30 mm



DeBakey Lateral Blades Pair
Fig. 2

Catalog #	Blade Size
HS-C-105-03	40 x 40 mm



HAGGAI

SURGICAL INTERNATIONAL

Rib Spreader
Rippensperrer
Separadores costales
Ecarteurs des côtes
Divaricatori costali

DeBakey Lateral Blades Pair

Fig. 3

Catalog #	Size, Blade Size
HS-C-105-04	N/A, 50 x 50 mm



DeBakey Rib Spreader Complete

With 3 Pairs of Blades Ref: HS-C-106-02 to HS-C-106-04

Catalog #	Size, Spread
HS-C-106-00	N/A, 200 mm



DeBakey Rib Spreader Spreader Only

Catalog #	Size, Spread
HS-C-106-01	N/A, 200 mm



Lateral Blades Pair

Fig. 1

Catalog #	Size, Blade Size
HS-C-106-02	N/A, 60 x 60 mm



Lateral Blades Pair

Fig. 2

Catalog #	Size, Blade Size
HS-C-106-03	N/A, 50 x 80 mm





Rib Retractors
Rippensperrer Separadores
costales Ecarteurs des
côtes Divaricatori costali

Lateral Blades Pair
Fig. 3

Catalog #	Size, Blade Size
HS-C-106-03	N/A, 40 x 100 mm



Lateral Blades Pair
Fig. 4

Catalog #	Size, Blade Size
HS-C-106-04	N/A, 80 x 60 mm



Lateral Blades Pair
Fig. 5

Catalog #	Size, Blade Size
HS-C-106-05	N/A, 50 x 66 mm



Mercedes Thoracic Retractor Complete
With Lateral Blades Ref: HS-C-111-02 and HS-C-111-03

Catalog #	Size
HS-C-111-00	N/A



Mercedes Thoracic Retractor
Retractor Only

Catalog #	Size
HS-C-111-01	N/A



HAGGAI

SURGICAL INTERNATIONAL

Rib Retractors, Rib Contractors
Rippensperrer, Rippenkontraktoren
Separadores costales, Aproximadores para costillas
Ecarteurs des côtes, Rapprocheurs des côtes
Divaricatori costali, Approssimatori costali

Lateral Blades Only (Pair)

Fig. 1

Catalog #	Blade Size
HS-C-111-02	48 x 68 mm



Lateral Blades Only (Pair)

Fig. 2

Catalog #	Blade Size
HS-C-111-03	70 x 75 mm



I.M.A Mammaria Retractor

Catalog #	Blade Size, Spread
HS-C-115-00	55 x 100 mm, 170 mm



I.M.A Mammaria Retractor (French Pattern)

Catalog #	Claw Size, Spread
HS-C-117-00	50 x 22 mm & 40 x 22 mm, 150 mm



Sellors Rib Contractor

Catalog #	Size
HS-C-150-20	20 cm (8")





Rib Contractors, Lung Spatulas
 Rippenkontraktoren, Lungenspatel
 Aproximadores para costillas, Espátulas pulmonares
 Rapprocheurs des côtes, Spatules pulmonaires
 Approssimatori costali, Spatole per pulmone

Bailey-Baby Rib Contractor

Catalog #	Size
HS-C-154-15	15.5 cm (6")



Bailey Rib Contractor Short Claws

Catalog #	Size
HS-C-158-16	20 cm (8")



Bailey-Gibbon Rib Contractor Long Claws

Catalog #	Size
HS-C-160-16	20 cm (8")



Allison Lung Spatula

Catalog #	Size
HS-C-171-30	29.5 cm (11 1/2")
HS-C-171-32	32.5 cm (12 3/4")



Allison Lung Spatula

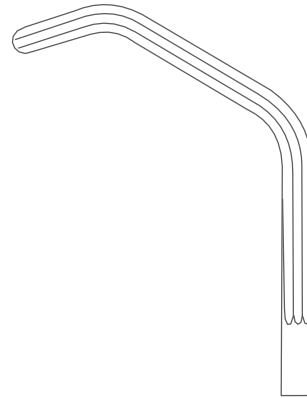
Catalog #	Size
HS-C-173-30	26 cm (10 1/4")



HAGGAI

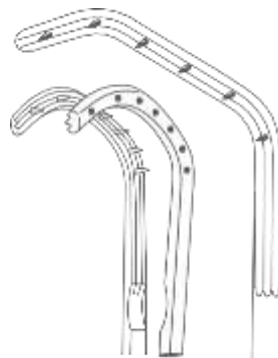
SURGICAL INTERNATIONAL

Cardiovascular Clamps
Kardiovaskuläre Klemmen
Pinzas cardiovasculares
Pincers cardiovasculaires
Pinze cardiovascolari

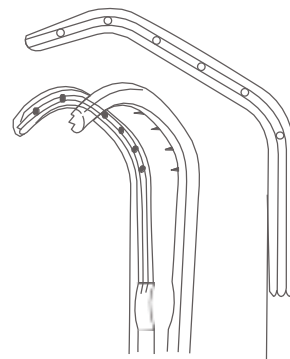


Price-Thomas Bronchus Clamp

Catalog #	Size
HS-C-201-22	22 cm (8 3/4")



HS-C-205-22



HS-C-207-22

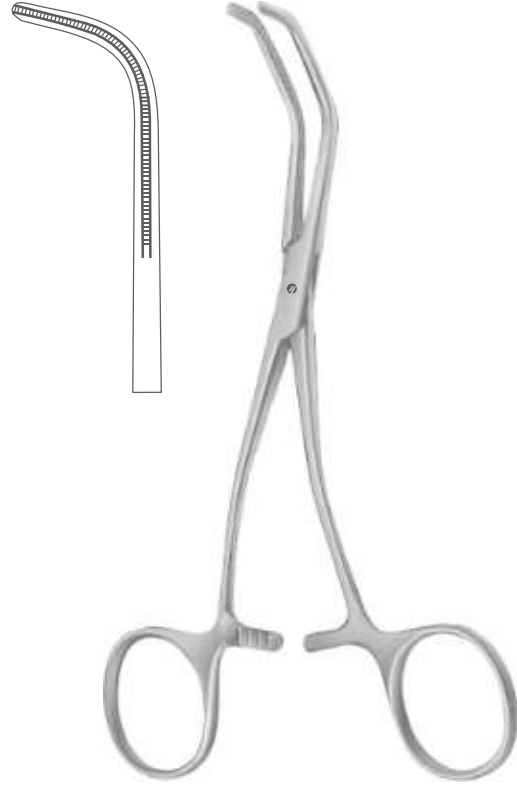
Price-Thomas Bronchus Clamp

Catalog #	Size, Profile
HS-C-205-22	22 cm (8 3/4"), Fig. 1, Spikes on Left Jaw
HS-C-207-22	22 cm (8 3/4"), Fig. 2, Spikes on Right Jaw



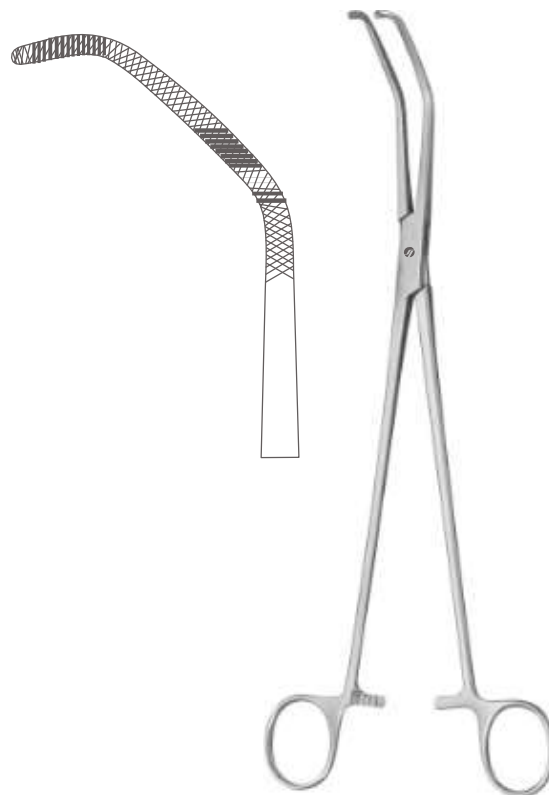


Cardiovascular Clamps
Kardiovaskuläre Klemmen
Pinzas cardiovasculares
Pinces cardiovasculaires
Pinze cardiovascolari



Baby Satinsky Anastomosis Clamp

Catalog #	Size
HS-C-209-15	15 cm (6")



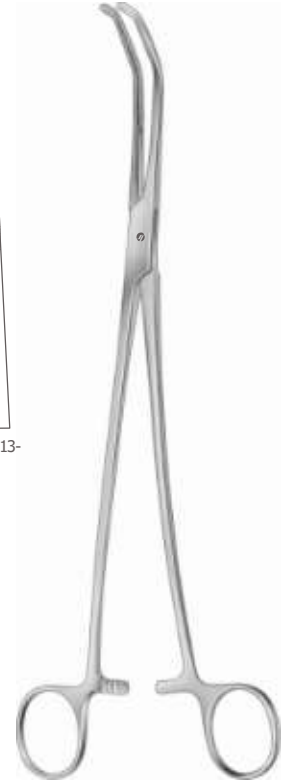
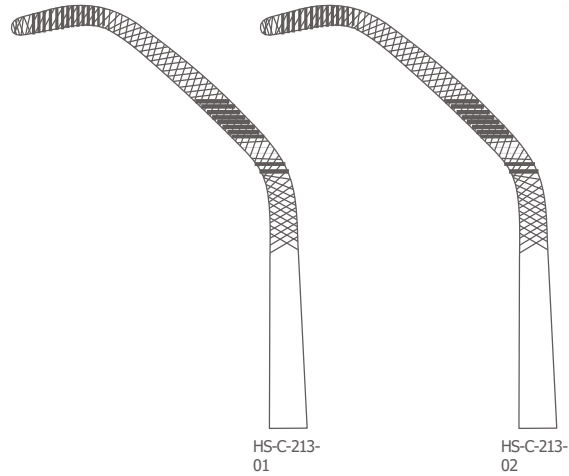
Satinsky Anastomosis Clamp

Catalog #	Size
HS-C-211-26	26.5 cm (10 1/2")

HAGGAI

SURGICAL INTERNATIONAL

Cardiovascular Clamps
Kardiovaskuläre Klemmen
Pinzas cardiovasculares
Pinces cardiovasculaires
Pinze cardiovascolari

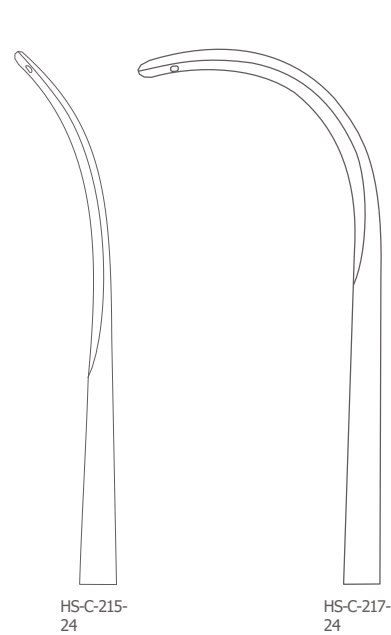


Satinsky Anastomosis Clamp

Catalog #	Size, Profile
HS-C-213-01	26.5 cm (10 1/2"), Fig. 1
HS-C-213-02	26.5 cm (10 1/2"), Fig. 2

Semb Bronchus Clamp

Catalog #	Size, Profile
HS-C-215-24	24.5 cm (9 3/4"), Slightly Curved
HS-C-217-24	24 cm (9 1/2"), Strongly Curved





Lung Grasping Forceps, Bulldog Clamps
Lungenfasszangen, Bulldogklemmen
Pinzas para coger el pulmón, Clamps Bulldog
Pince-clamps à poumons, Clamps Bulldog
Pinze per afferrare polmone, Pinze Bulldog

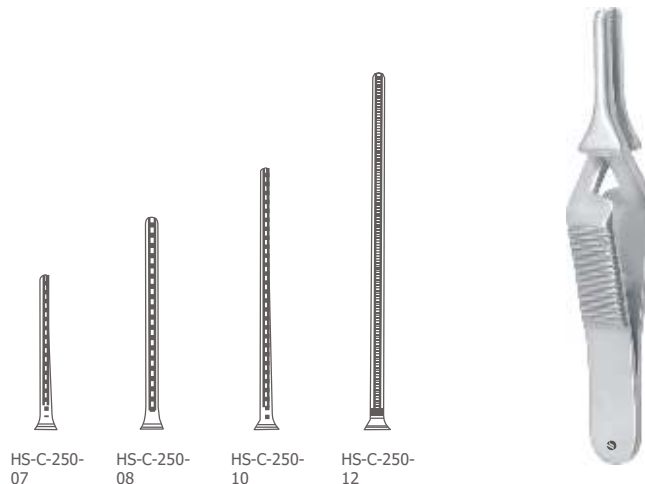


Lovelace Lung Grasping Forcep

Catalog #	Size, Profile
HS-C-220-20	20.5 cm (8"), Straight
HS-C-221-20	19 cm (7 1/2"), Laterally Curved

DeBakey Atrauma Bulldog Clamp Straight

Catalog #	Size, Jaw
HS-C-250-07	7.5 cm (3"), 25 mm
HS-C-250-08	8.5 cm (3 1/4"), 35 mm
HS-C-250-10	10 cm (4"), 50 mm
HS-C-250-12	12 cm (4 3/4"), 68 mm



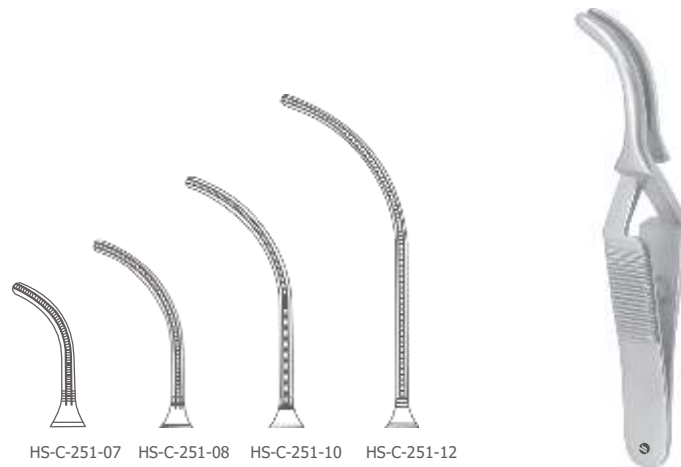
HAGGAI

SURGICAL INTERNATIONAL

Bulldog Clamps
Bulldogklemmen
Clamps Bulldog
Clamps Bulldog
Pinze Bulldog

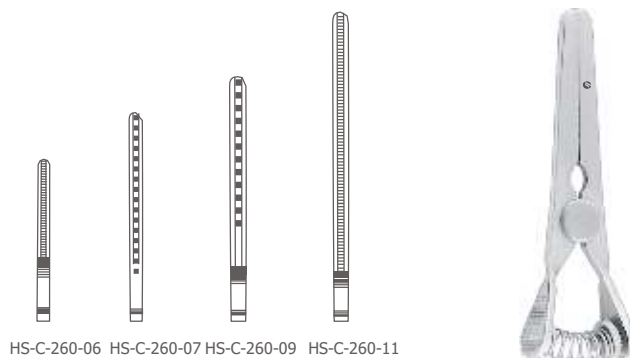
DeBakey Atrauma Bulldog Clamp Curved

Catalog #	Size, Jaw
HS-C-251-07	7.5 cm (3"), 23 mm
HS-C-251-08	8.5 cm (3 1/4"), 31 mm
HS-C-251-10	9.5 cm (3 3/4"), 42 mm
HS-C-251-12	11 cm (4 1/4"), 58 mm



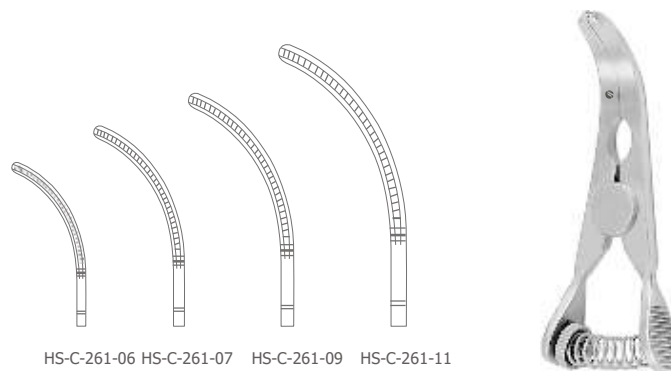
Glover Atrauma Bulldog Clamp Straight

Catalog #	Size, Jaw
HS-C-260-06	7 cm (2 3/4"), 32 mm
HS-C-260-07	7.5 cm (3"), 37 mm
HS-C-260-09	9 cm (3 1/2"), 50 mm
HS-C-260-11	11 cm (4 1/4"), 69 mm



Glover Atrauma Bulldog Clamp Curved

Catalog #	Size, Jaw
HS-C-261-06	6.5 cm (2 3/4"), 33 mm
HS-C-261-07	7 cm (3"), 37 mm
HS-C-261-09	8.5 cm (3 1/2"), 50 mm
HS-C-261-11	10.5 cm (4 1/4"), 69 mm



DeBakey-Satinsky Atrauma Bulldog Clamp

Catalog #	Size, Jaw
HS-C-265-07	7 cm (2 3/4"), 38 mm
HS-C-265-09	9 cm (3 1/2"), 54 mm
HS-C-265-10	10 cm (4"), 63 mm





Bulldog Clamps
Bulldogklemmen
Clamps Bulldog
Clamps Bulldog
Pinze Bulldog

Glover Atrauma Bulldog Clamp

Catalog #	Size, Jaw
HS-C-277-06	6 cm (2 1/4"), 35 mm



Santulli Atrauma Bulldog Clamp

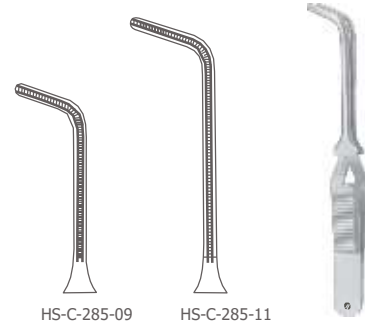
Catalog #	Size
HS-C-281-07	7 cm (2 3/4")



Gergory-Soft Atrauma Bulldog Clamp

Carotid Clamp

Catalog #	Size, Jaw
HS-C-285-09	9 cm (3 1/2"), 45 mm
HS-C-285-11	11 cm (4 1/4"), 58 mm



Gergory Atrauma Bulldog Clamp

Catalog #	Size, Jaw, Profile
HS-C-287-01	10.5 cm (4"), 62 mm, Carotid Clamp, Right
HS-C-287-02	10.5 cm (4"), 62 mm, Carotid Clamp, Left



HAGGAI

SURGICAL INTERNATIONAL

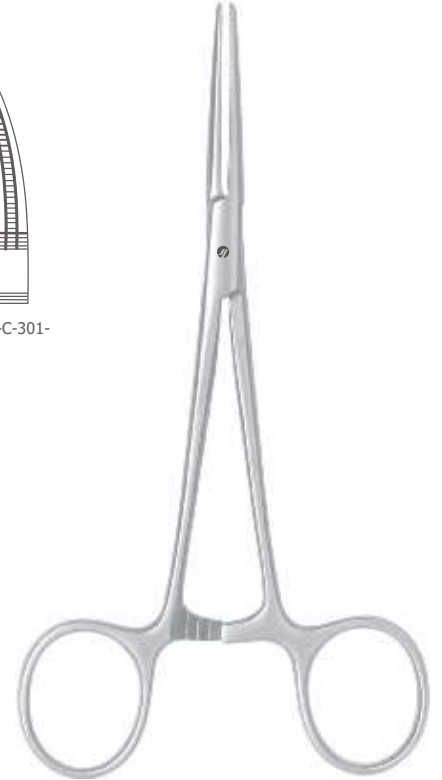
Cardiovascular Clamps
Kardiovaskuläre Klemmen
Pinzas cardiovasculares
Pincas cardiovasculaires
Pinze cardiovascolari



HS-C-300-16

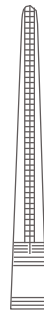


HS-C-301-16

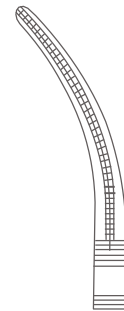


DeBaKey-Rankin Atrauma Hemostatic Forcep

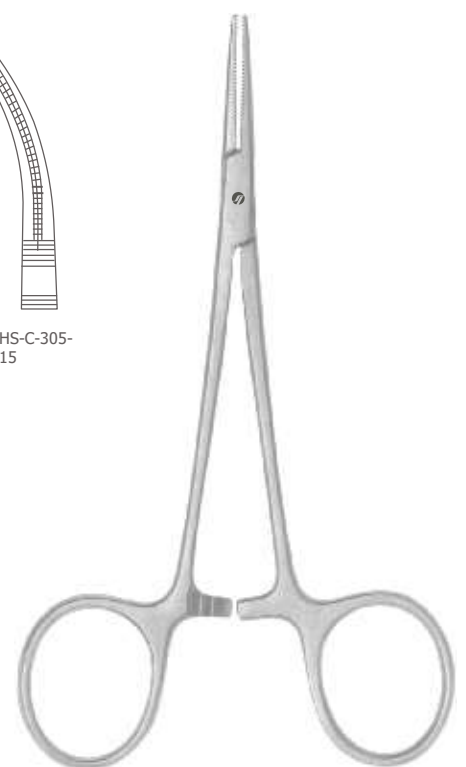
Catalog #	Size, Jaw, Profile
HS-C-300-16	16 cm (6 1/4"), 40 mm, Straight
HS-C-301-16	16 cm (6 1/4"), 40 mm, Curved



HS-C-304-15



HS-C-305-15

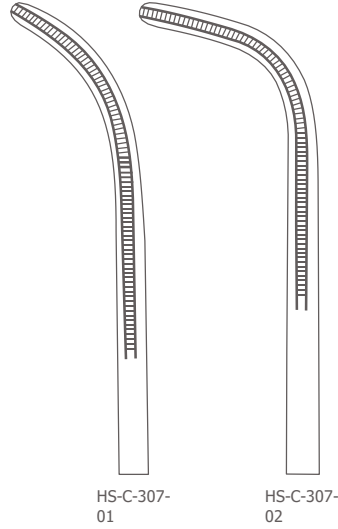


DeBaKey-Mosquito Atrauma Hemostatic Forcep

Catalog #	Size, Jaw, Profile
HS-C-304-15	16 cm (6 1/4"), 27 mm, Straight
HS-C-305-15	16 cm (6 1/4"), 27 mm, Curved

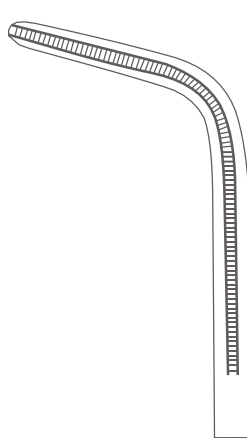


Cardiovascular Clamps
Kardiovaskuläre Klemmen
Pinzas cardiovasculares
Pincés cardiovasculaires
Pinze cardiovascolari



DeBaKey-Rumel Atrauma Dissecting & Ligature Forcep

Catalog #	Size, Jaw, Profile
HS-C-307-01	25 cm (10"), 81 mm, Slightly Curved
HS-C-307-02	24.5 cm (9 ¾"), 81 mm, Strongly Curved



DeBaKey-Mixer Atrauma Dissecting & Ligature Forcep

Catalog #	Size, Jaw
HS-C-309-28	28.5 cm (11 ¼ "), 80 mm



HAGGAI

SURGICAL INTERNATIONAL

Cardiovascular Clamps
Kardiovaskuläre Klemmen
Pinzas cardiovasculares
Pinces cardiovasculaires
Pinze cardiovascolari



DeBakey-McQuigg-Mixter Atrauma Dissecting & Ligature Forcep

Catalog #	Size, Jaw
HS-C-311-21	21 cm (8 1/4"), 70 mm

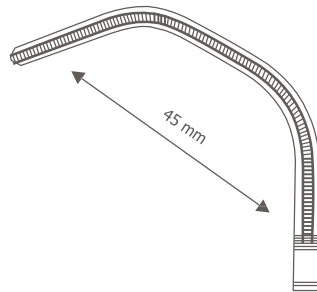


Ochsner Atrauma Aortic Clamp

Catalog #	Size, Jaw
HS-C-315-23	26 cm (10 1/4"), 50 mm

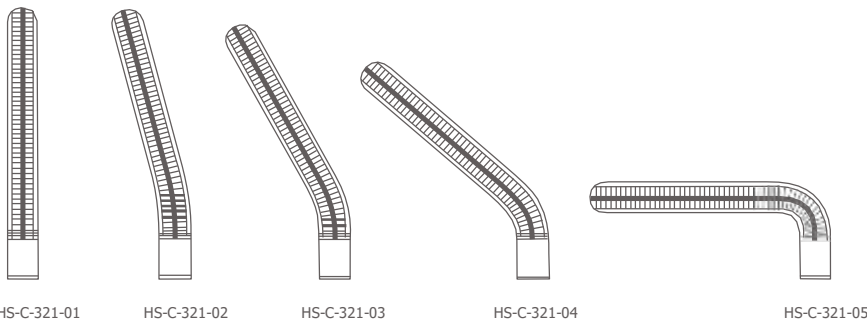


Cardiovascular Clamps
Kardiovaskuläre Klemmen
Pinzas cardiovasculares
Pincas cardiovasculaires
Pinze cardiovascolari



Diethrich Atrauma Aortic Clamp

Catalog #	Size, Jaw
HS-C-317-22	22 cm (8 ¾"), 45 mm



HS-C-321-01 HS-C-321-02 HS-C-321-03 HS-C-321-04 HS-C-321-05

Dardik Atrauma Multipurpose Vascular Clamp

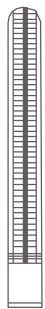
Catalog #	Size, Jaw, Profile
HS-C-321-01	15 cm (6"), 30 mm, Straight
HS-C-321-02	15 cm (6"), 30 mm, Angled 15°
HS-C-321-03	15 cm (6"), 30 mm, Angled 30°
HS-C-321-04	15 cm (6"), 30 mm, Angled 45°
HS-C-321-05	15 cm (6"), 30 mm, Angled 90°



HAGGAI

SURGICAL INTERNATIONAL

Cardiovascular Clamps
Kardiovaskuläre Klemmen
Pinzas cardiovasculares
Pinces cardiovasculaires
Pinze cardiovascolari



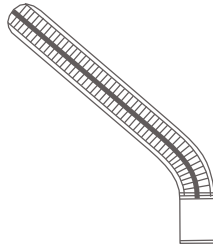
HS-C-321-01



HS-C-321-02



HS-C-321-03



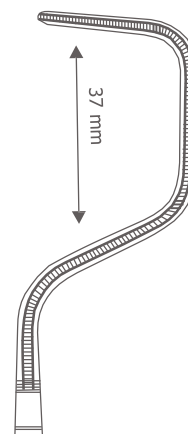
HS-C-321-04



HS-C-321-05

Dardik Atrauma Multipurpose Vascular Clamp

Catalog #	Size, Jaw, Profile
HS-C-321-01	17 cm (6 3/4"), 50 mm, Straight
HS-C-321-02	17 cm (6 3/4"), 50 mm, Angled 15°
HS-C-321-03	17 cm (6 3/4"), 50 mm, Angled 30°
HS-C-321-04	17 cm (6 3/4"), 50 mm, Angled 45°
HS-C-321-05	17 cm (6 3/4"), 50 mm, Angled 90°



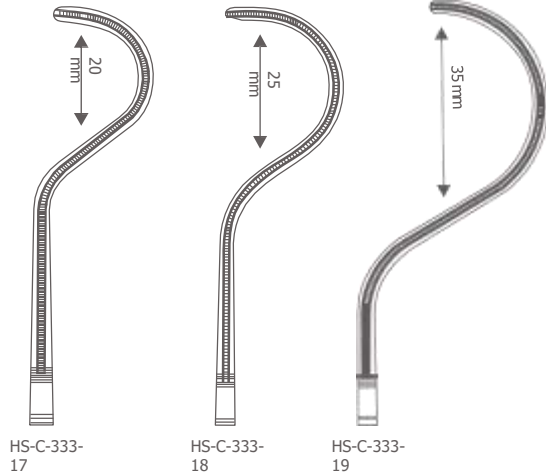
Dale Atrauma Peripheral Vascular Clamp

Catalog #	Size, Jaw
HS-C-331-18	18 cm (7"), 37 mm



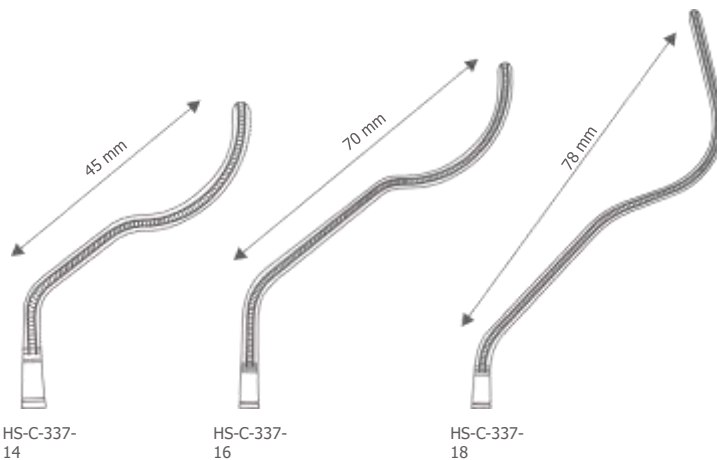


Cardiovascular Clamps
Kardiovaskuläre Klemmen
Pinzas cardiovasculares
Pincés cardiovasculaires
Pinze cardiovascolari



Dale Atrauma Peripheral Vascular Clamp

Catalog #	Size, Jaw
HS-C-333-17	17.5 cm (7"), 20 mm
HS-C-333-18	18 cm (7"), 25 mm
HS-C-333-19	18.5 cm (7 1/4"), 35 mm



Gregory Atrauma Profunda Clamp

Catalog #	Size, Jaw
HS-C-337-14	13 cm (5"), 45 mm
HS-C-337-16	16 cm (6 1/4"), 70 mm
HS-C-337-18	18 cm (7"), 78 mm



HAGGAI

SURGICAL INTERNATIONAL

Cardiovascular Clamps
Kardiovaskuläre Klemmen
Pinzas cardiovasculares
Pincas cardiovasculaires
Pinze cardiovascolari



Javid Carotid Shunt Clamp

Catalog #	Size
HS-C-341-18	17.5 cm (7")
HS-C-341-19	18 cm (7")

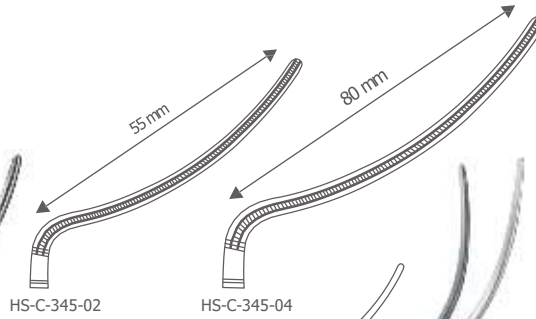
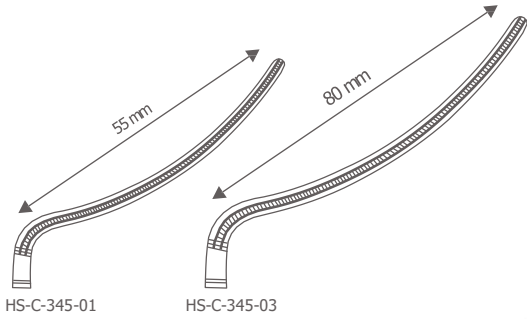
Cooley Catheter Clamp

Catalog #	Size, Diameter
HS-C-343-24	16 cm (6 1/4"), Ø 24 Charr.
HS-C-343-26	16 cm (6 1/4"), Ø 26 Charr.
HS-C-343-28	20 cm (8"), Ø 28 Charr.
HS-C-343-30	20 cm (8"), Ø 30 Charr.
HS-C-343-32	20 cm (8"), Ø 32 Charr.
HS-C-343-36	20 cm (8"), Ø 36 Charr.



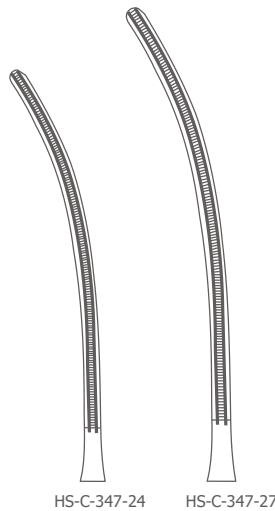
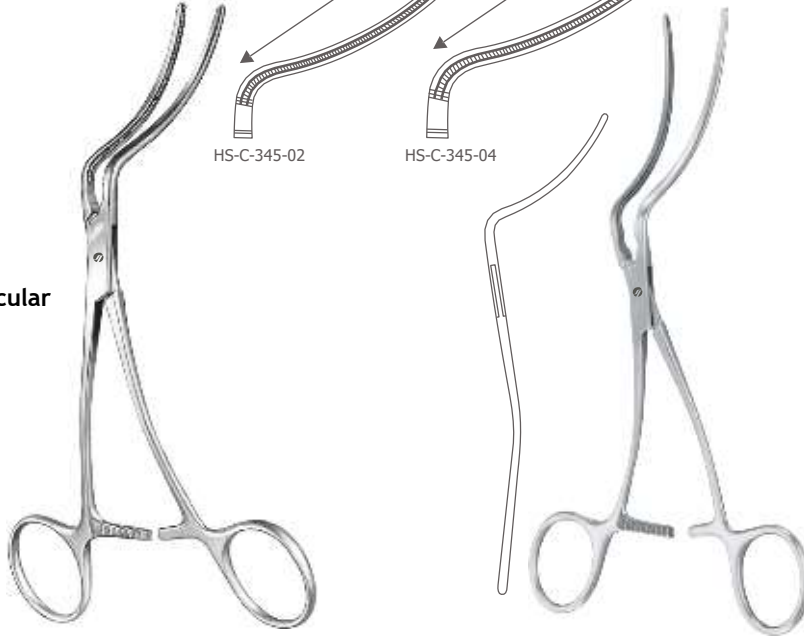


Cardiovascular Clamps
Kardiovaskuläre Klemmen
Pinzas cardiovasculares
Pincas cardiovasculaires
Pinze cardiovascolari



DeBakey-Wylie Atrauma Peripheral Vascular Clamp

Catalog #	Size, Jaw
HS-C-345-01	16 cm (6 1/4"), 55 mm
HS-C-345-02	16.5 cm (6 1/2"), 55 mm
HS-C-345-03	18 cm (7"), 80 mm
HS-C-345-04	19.5 cm (7 3/4"), 80 mm



Wylie Atrauma Aortic Clamp

Catalog #	Size
HS-C-347-24	24 cm (9 1/2")
HS-C-347-27	27 cm (10 1/2")



HAGGAI

SURGICAL INTERNATIONAL

Cardiovascular Clamps
Kardiovaskuläre Klemmen
Pinzas cardiovasculares
Pinces cardiovasculaires
Pinze cardiovascolari

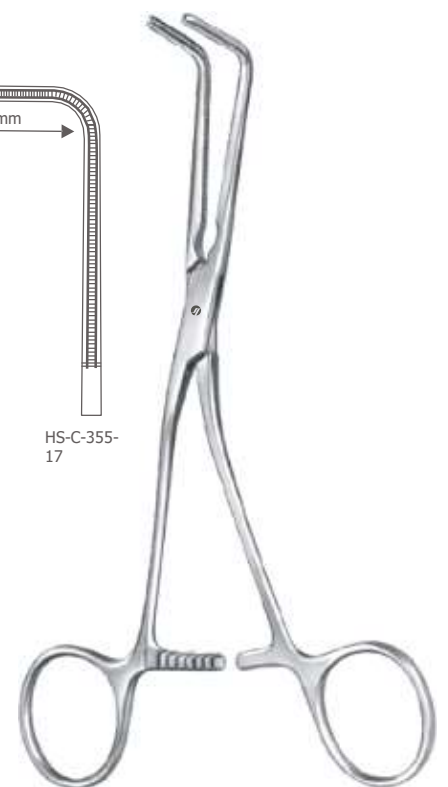
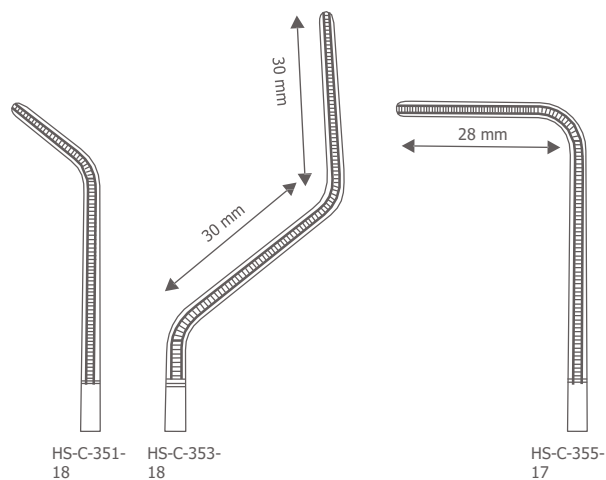
DeBakey Atrauma Aortic Clamp

Catalog #	Size, Jaw
HS-C-349-30	30 cm (11 3/4"), 115 mm



Husfeldt Atrauma Peripheral Vascular Clamp

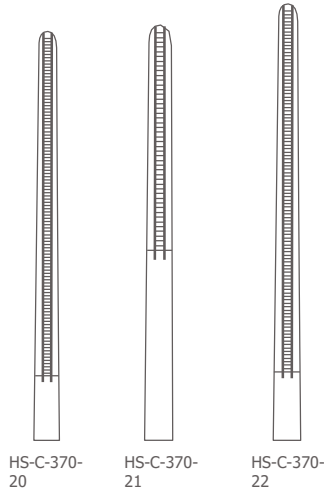
Catalog #	Size, Jaw
HS-C-351-18	17.5 cm (7"), 48 mm
HS-C-353-18	18 cm (7"), 30 mm, 30 mm
HS-C-355-17	17 cm (6 3/4"), 28 mm



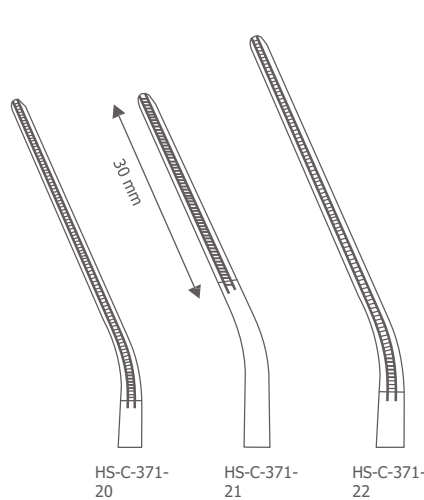


Cardiovascular Clamps
Kardiovaskuläre Klemmen
Pinzas cardiovasculares
Pincas cardiovasculaires
Pinze cardiovascolari

Potts Atrauma Coarctation Clamp

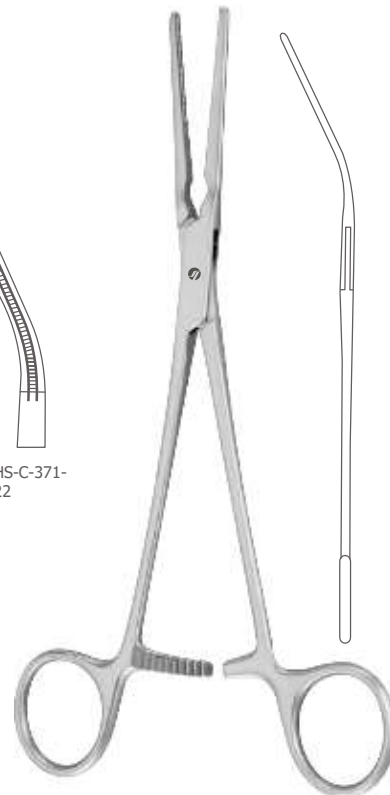


Catalog #	Size, Jaw, Profile
HS-C-370-20	20.5 cm (8"), 41 mm, Straight
HS-C-370-21	21 cm (8 1/4"), 30 mm, Straight
HS-C-370-22	22.5 cm (8 3/4"), 55 mm, Straight



Potts Atrauma Coarctation Clamp

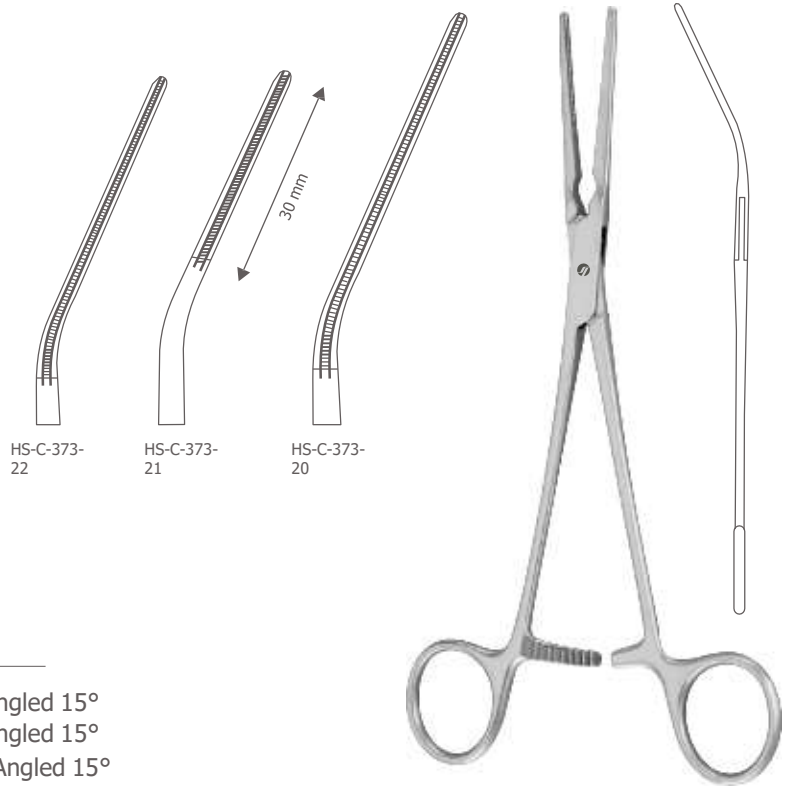
Catalog #	Size, Jaw, Profile
HS-C-371-20	20.5 cm (8"), 41 mm, Angled 15°
HS-C-371-21	20.5 cm (8"), 30 mm, Angled 15°
HS-C-371-22	22 cm (8 3/4"), 55 mm, Angled 15°



HAGGAI

SURGICAL INTERNATIONAL

Cardiovascular Clamps
Kardiovaskuläre Klemmen
Pinzas cardiovasculares
Pinces cardiovasculaires
Pinze cardiovascolari



Potts Atrauma Coarctation Clamp

Catalog #	Size, Jaw, Profile
HS-C-373-20	20.5 cm (8"), 41 mm, Angled 15°
HS-C-373-21	20.5 cm (8"), 30 mm, Angled 15°
HS-C-373-22	22 cm (8 3/4"), 55 mm, Angled 15°

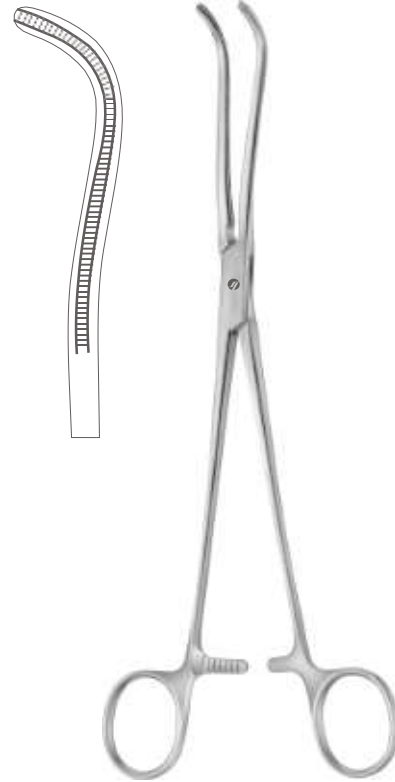


Potts Atrauma Anastomosis Clamp

Catalog #	Size, Jaw, Profile
HS-C-375-22	21.5 cm (8 1/2"), 65 mm, Curved
HS-C-377-22	22 cm (8 3/4"), 60 mm, Curved



Cardiovascular Clamps
Kardiovaskuläre Klemmen
Pinzas cardiovasculares
Pincés cardiovasculaires
Pinze cardiovascolari



DeBakey Atrauma Dissecting and Ligature Forcep

Catalog #	Size, Jaw
HS-C-379-21	21 cm (8 ¼"), 51 mm
HS-C-379-23	23 cm (9"), 75 mm



HS-C-381-19

HS-C-381-23

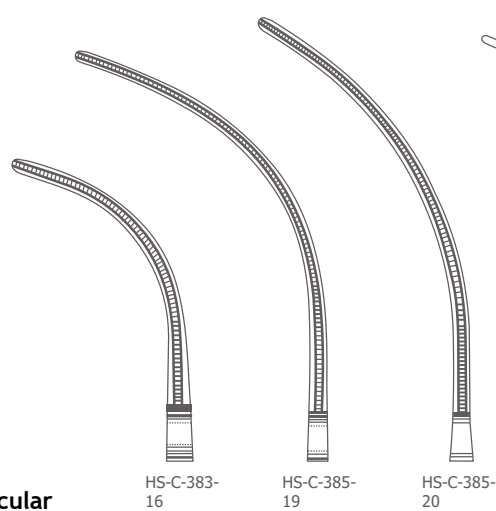
DeBakey Atrauma Dissecting and Ligature Forcep

Catalog #	Size, Jaw
HS-C-381-19	19 cm (7 ½"), 77 mm
HS-C-381-23	24 cm (9 ½"), 180 mm

HAGGAI

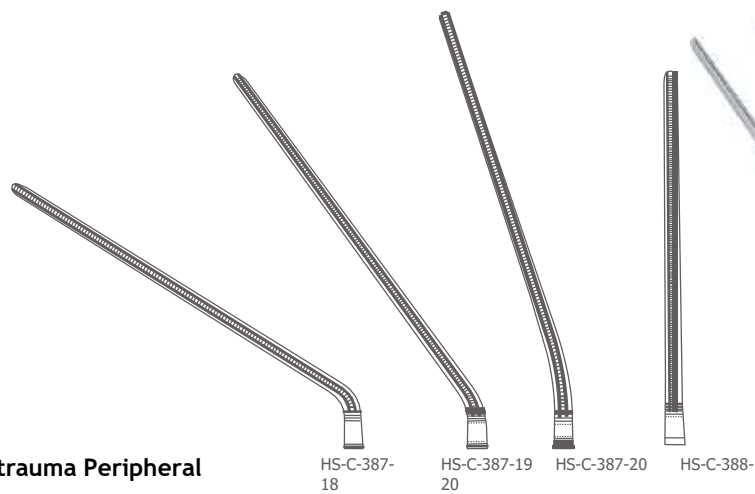
SURGICAL INTERNATIONAL

Cardiovascular Clamps
Kardiovaskuläre Klemmen
Pinzas cardiovasculares
Pincés cardiovasculaires
Pinze cardiovascolari



DeBakey Atrauma Peripheral Vascular Clamp

Catalog #	Size, Jaw
HS-C-383-16	16 cm (6 1/4"), 56 mm
HS-C-385-19	19 cm (7 1/2"), 90 mm
HS-C-385-20	19.5 cm (7 3/4"), 92 mm



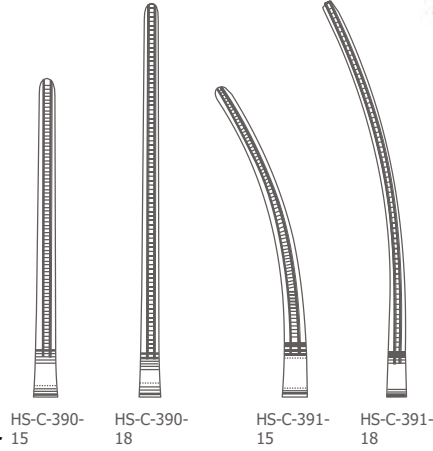
Leland-Jones Atrauma Peripheral Vascular Clamp

Catalog #	Size, Jaw, Profile
HS-C-387-18	18 cm (7"), 77 mm, Angled 60°
HS-C-387-19	18.5 cm (7 1/4"), 77 mm, Angled 30°
HS-C-387-20	19.5 cm (7 3/4"), 77 mm, Angled 15°
HS-C-388-20	19.5 cm (7 3/4"), 77 mm, Straight



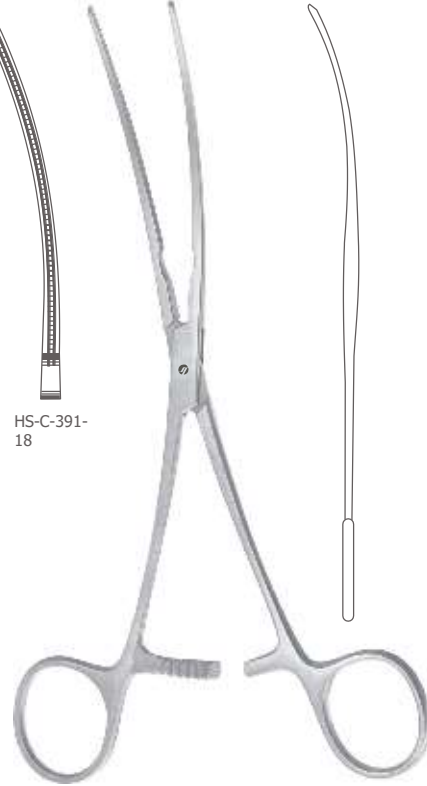


Cardiovascular Clamps
Kardiovaskuläre Klemmen
Pinzas cardiovasculares
Pincés cardiovasculaires
Pinze cardiovascolari



Bainbridge Atrauma Multipurpose Vascular Clamp

Catalog #	Size, Jaw
HS-C-390-15	15 cm (6"), 40 mm
HS-C-390-18	18.5 cm (7 1/4"), 65 mm
HS-C-391-15	15 cm (6"), 40 mm
HS-C-391-18	18.5 cm (7 1/4"), 65 mm



DeBakey Atrauma Multipurpose Vascular Clamp

Catalog #	Size, Jaw
HS-C-393-20	20 cm (8"), 180 mm



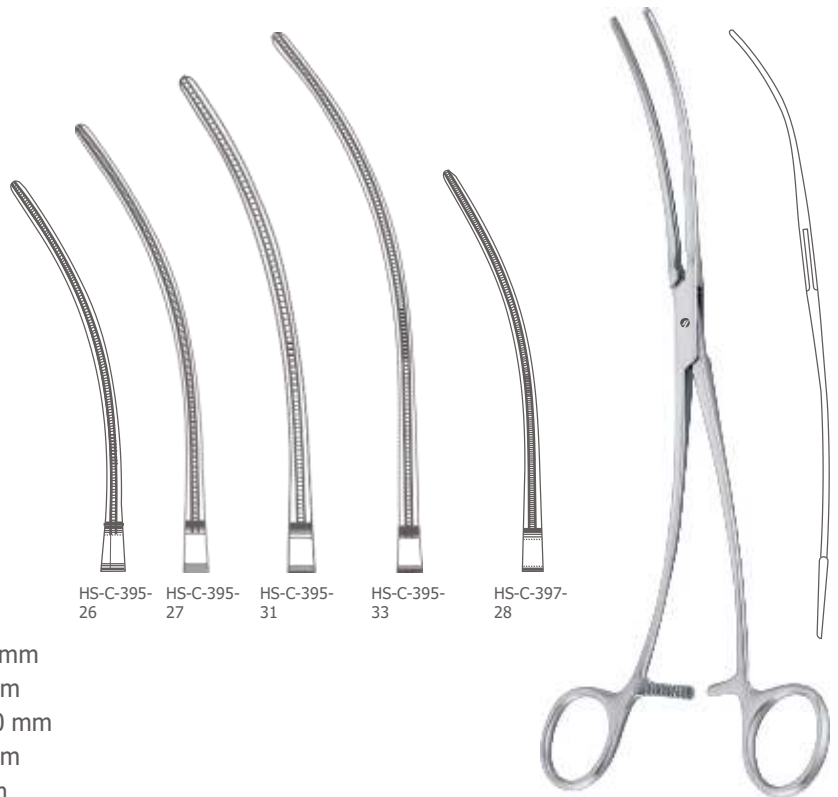
HAGGAI

SURGICAL INTERNATIONAL

Cardiovascular Clamps
Kardiovaskuläre Klemmen
Pinzas cardiovasculares
Pinces cardiovasculaires
Pinze cardiovascolari

DeBaKey Atrauma Aortic Aneurysm Clamp

Catalog #	Size, Jaw Length
HS-C-395-26	26 cm (10 1/4"), 95 mm
HS-C-395-27	30 cm (12"), 110 mm
HS-C-395-31	31 cm (12 1/4"), 130 mm
HS-C-395-33	33 cm (13"), 140 mm
HS-C-397-28	28 cm (11"), 90 mm



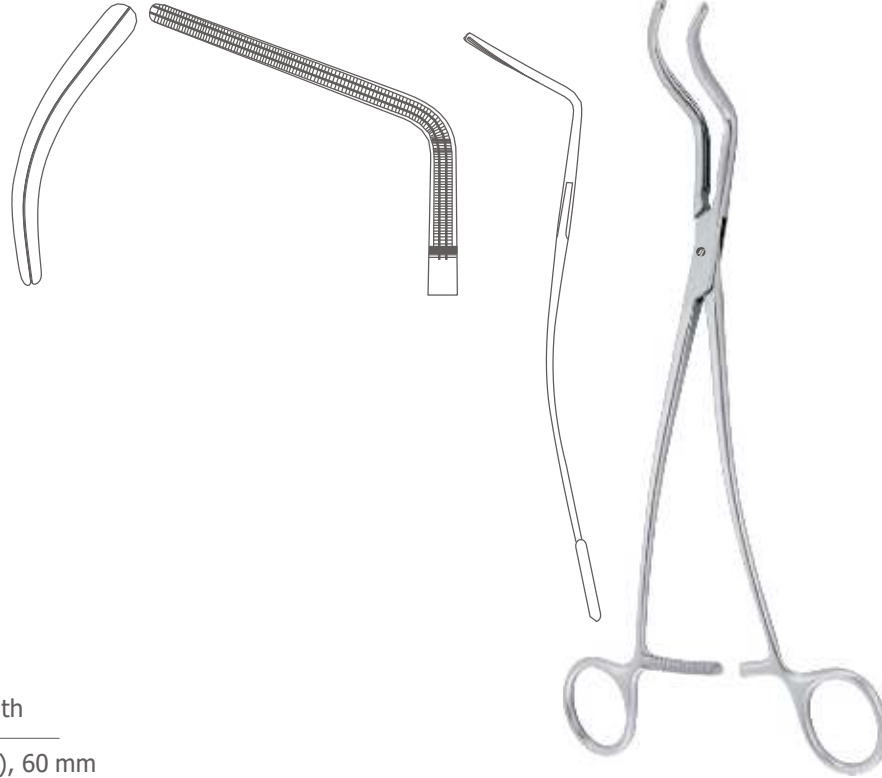
DeBaKey Atrauma Aortic Aneurysm Clamp

Catalog #	Size, Jaw Length
HS-C-399-30	30 cm (11 3/4"), 115 mm





Cardiovascular Clamps
Kardiovaskuläre Klemmen
Pinzas cardiovasculares
Pincés cardiovasculaires
Pinze cardiovascolari



DeBakey Atrauma Aortic Clamp
Angled 70°

Catalog #	Size, Jaw Length
HS-C-401-27	27 cm (10 3/4"), 60 mm



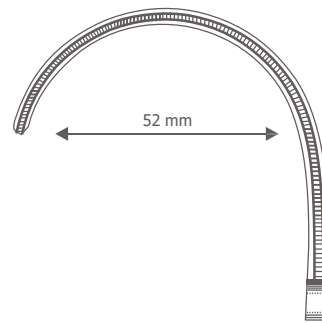
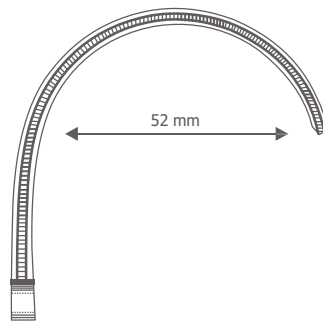
DeBakey Atrauma Aortic Clamp

Catalog #	Size, Jaw Length
HS-C-409-26	27 cm (10 3/4"), 60 mm

HAGGAI

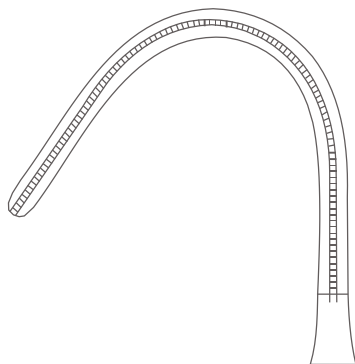
SURGICAL INTERNATIONAL

Cardiovascular Clamps
Kardiovaskuläre Klemmen
Pinzas cardiovasculares
Pincers cardiovasculaires
Pinze cardiovascolari

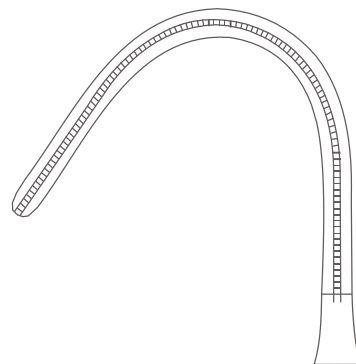


Weber Atrauma Aortic Clamp

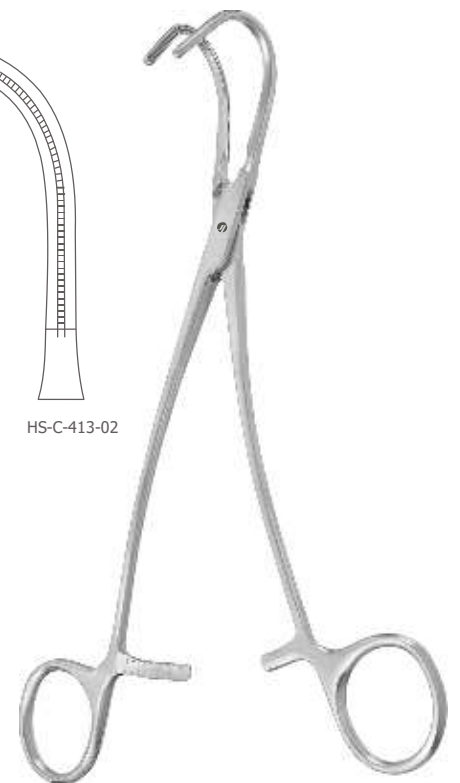
Catalog #	Size, Jaw, Profile
HS-C-411-01	24 cm (9 1/2"), 52 mm, Right
HS-C-411-02	24 cm (9 1/2"), 52 mm, Left



HS-C-413-01



HS-C-413-02

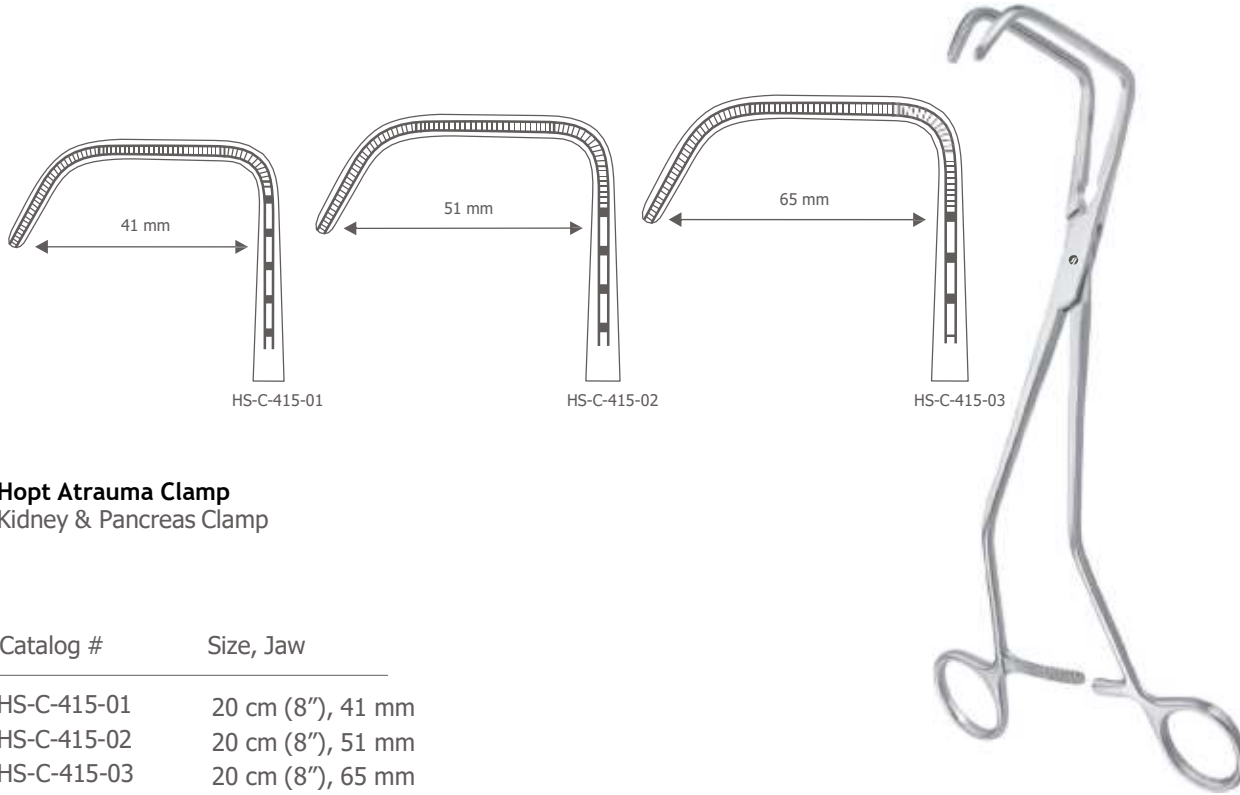


Wylie Atrauma Aortic Aneurysm Clamp

Catalog #	Size, Jaw
HS-C-413-01	23 cm (9"), 25 mm
HS-C-413-02	24.5 cm (9 1/2"), 25 mm



Cardiovas
Kardiovaskuläre Klemmen
Pinzas cardiovasculares
Pinces cardiovasculaires
Pinze cardiovascolari



Hopt Atrauma Clamp Kidney & Pancreas Clamp

Catalog #	Size, Jaw
HS-C-415-01	20 cm (8"), 41 mm
HS-C-415-02	20 cm (8"), 51 mm
HS-C-415-03	20 cm (8"), 65 mm



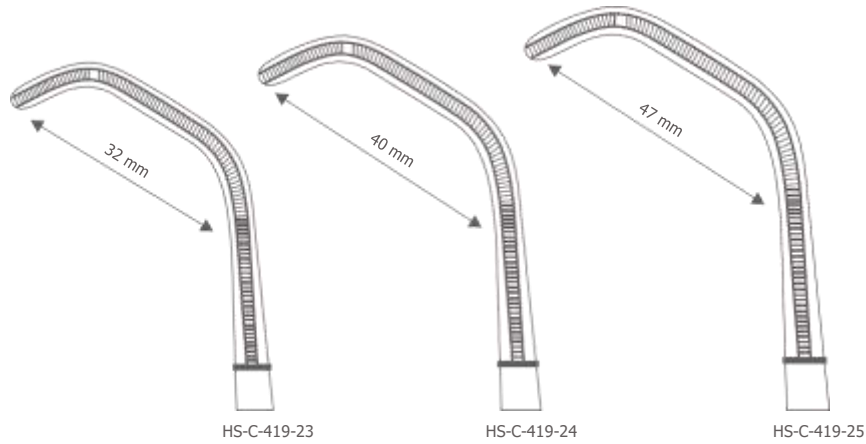
Satinsky Atrauma Tangential Occlusion Clamp

Catalog #	Size, Jaw Length
HS-C-417-20	22 cm (8 3/4"), 38 mm
HS-C-417-24	26 cm (10 1/4"), 48 mm
HS-C-417-25	26.5 cm (10 1/2"), 54 mm
HS-C-417-26	27.5 cm (10 3/4"), 58 mm
HS-C-417-27	28.5 cm (11 1/4"), 75 mm

HAGGAI

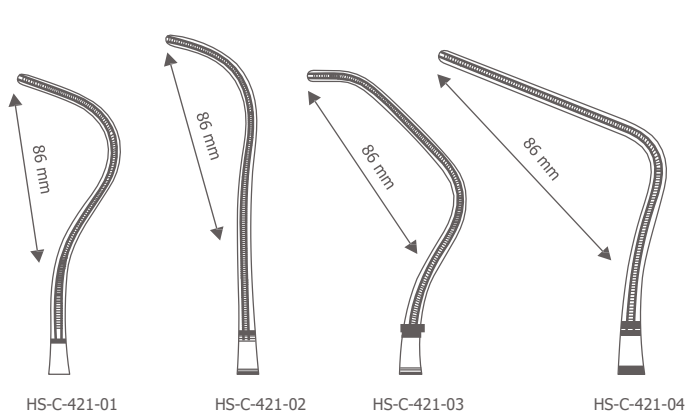
SURGICAL INTERNATIONAL

Cardiovascular Clamps
 Kardiovaskuläre Klemmen
 Pinzas cardiovasculares
 Pinces cardiovasculaires
 Pinze cardiovascolari



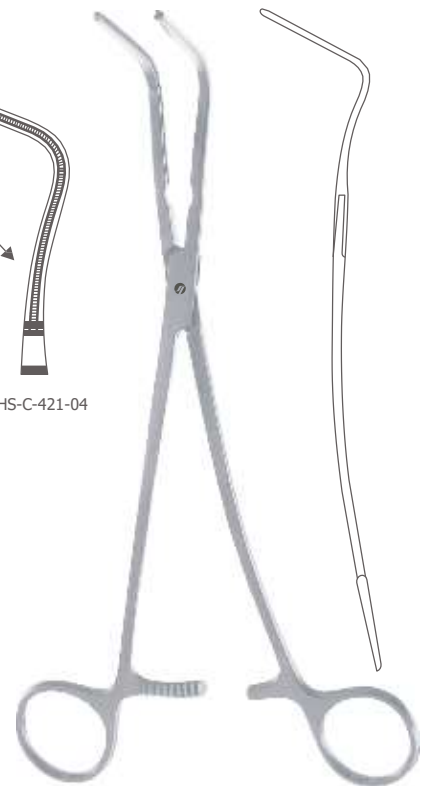
DeBakey Satinsky Atrauma Tangential Occlusion Clamp

Catalog #	Size, Jaw
HS-C-419-23	23.5 cm (9 1/4"), 32 mm
HS-C-419-24	24 cm (9 1/2"), 40 mm
HS-C-419-25	24.5 cm (9 1/2"), 47 mm



Harken Atrauma Auricle Clamp

Catalog #	Size, Jaw Length
HS-C-421-01	25.5 cm (10"), 86 mm
HS-C-421-02	24 cm (9 1/2"), 86 mm
HS-C-421-03	24.5 cm (9 3/4"), 86 mm
HS-C-421-04	23.5 cm (9 1/4"), 86 mm





Cardiovascular Clamps
Kardiovaskuläre Klemmen
Pinzas cardiovasculares
Pincés cardiovasculaires
Pinze cardiovascolari



Lees Atrauma Bronchus Clamp
Angled 90°

Catalog #	Size, Jaw
HS-C-423-23	23 cm (9"), 42 mm



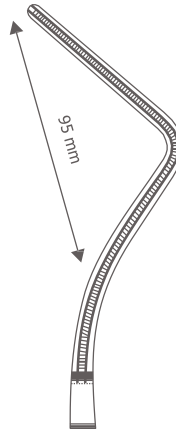
Lees Atrauma Bronchus Clamp
Angled 90°, 2x3 DeBakey Teeth

Catalog #	Size, Jaw Length
HS-C-423-25	25.5 cm (10"), 42 mm

HAGGAI

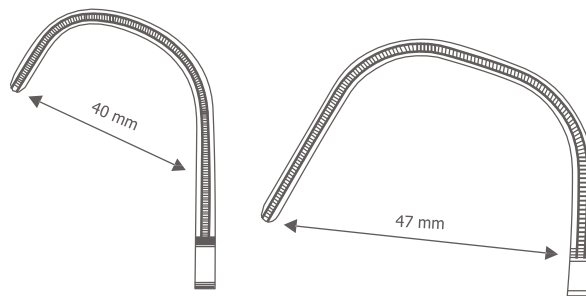
SURGICAL INTERNATIONAL

Cardiovascular Clamps
Kardiovaskuläre Klemmen
Pinzas cardiovasculares
Pinces cardiovasculaires
Pinze cardiovascolari



Lees Atrauma Bronchus Clamp

Catalog #	Size, Jaw Length
HS-C-425-25	25 cm (10 3/4"), 95 mm



Lambert-Kay Atrauma Anastomosis Clamp

Catalog #	Size, Jaw Length
HS-C-427-21	22.5 cm (8 3/4"), 40 mm
HS-C-427-22	22.5 cm (8 3/4"), 47 mm



Cardiovascular Clamps
Kardiovaskuläre Klemmen
Pinzas cardiovasculares
Pincas cardiovasculaires
Pinze cardiovascolari



DeBakey Atrauma Anastomosis Clamp

Catalog #	Size, Jaw
HS-C-429-17	16.5 cm (6 1/2"), 24 mm



Morris-DeBakey Atrauma Aortic Clamp

Catalog #	Size, Jaw, Profile
HS-C-431-01	16.5 cm (6 1/2"), 67 mm, Angled 90°
HS-C-431-02	20 cm (8"), 67 mm, Angled 70°
HS-C-431-03	24 cm (9 1/2"), 70 mm, Angled 90°
HS-C-431-04	26 cm (10 1/4"), 70 mm, Angled 70°



HAGGAI

SURGICAL INTERNATIONAL

Cardiovascular Clamps
Kardiovaskuläre Klemmen
Pinzas cardiovasculares
Pincés cardiovasculaires
Pinze cardiovascolari



DeBaKey-Bahnson Atrauma Aneurysm Clamp

Catalog #	Size, Jaw
HS-C-433-23	25.5 cm (10"), 70 mm
HS-C-433-24	26.5 cm (10 1/2"), 75 mm
HS-C-433-25	28 cm (11"), 85 mm



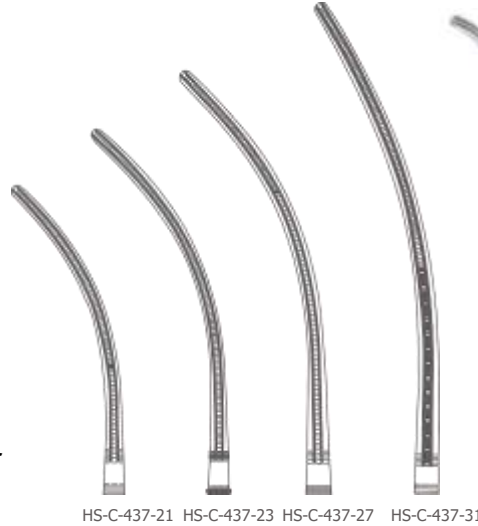
Potts Atrauma Multipurpose Vascular Clamp

Catalog #	Size, Jaw, Profile
HS-C-436-21	21.5 cm (8 1/2"), 60 mm, Straight
HS-C-436-23	23.5 cm (9 1/4"), 75 mm, Straight
HS-C-436-27	27 cm (10 3/4"), 82 mm, Straight
HS-C-436-31	31 cm (12 1/4"), 100 mm, Straight





Cardiovascular Clamps
Kardiovaskuläre Klemmen
Pinzas cardiovasculares
Pincés cardiovasculaires
Pinze cardiovascolari

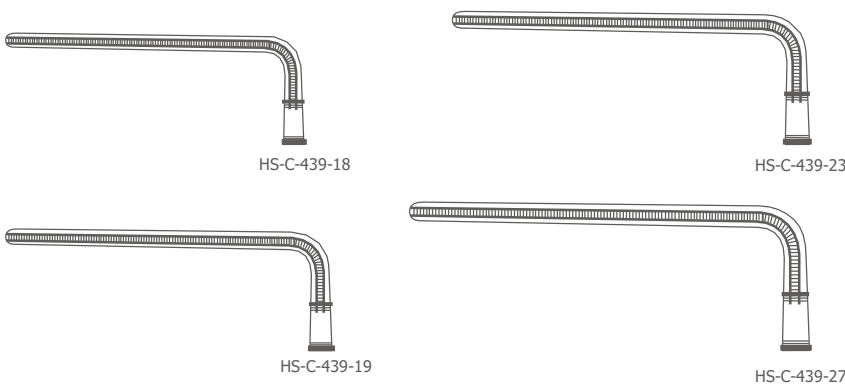


Potts Atrauma Multipurpose Vascular Clamp

HS-C-437-21 HS-C-437-23 HS-C-437-27 HS-C-437-31

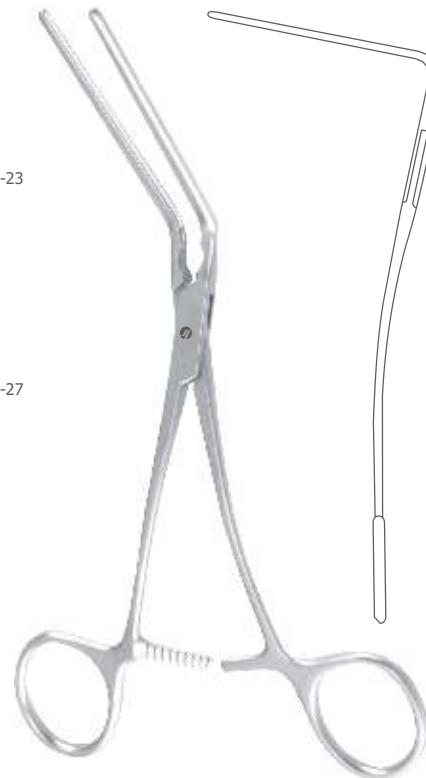


Catalog #	Size, Jaw, Profile
HS-C-437-21	21 cm (8 ¼"), 60 mm, Curved
HS-C-437-23	23 cm (9"), 75 mm, Curved
HS-C-437-27	26 cm (10 ¼"), 82 mm, Curved
HS-C-437-31	30.5 cm (12"), 100 mm, Curved



DeBakey Atrauma Multipurpose Vascular Clamp Angled 90°

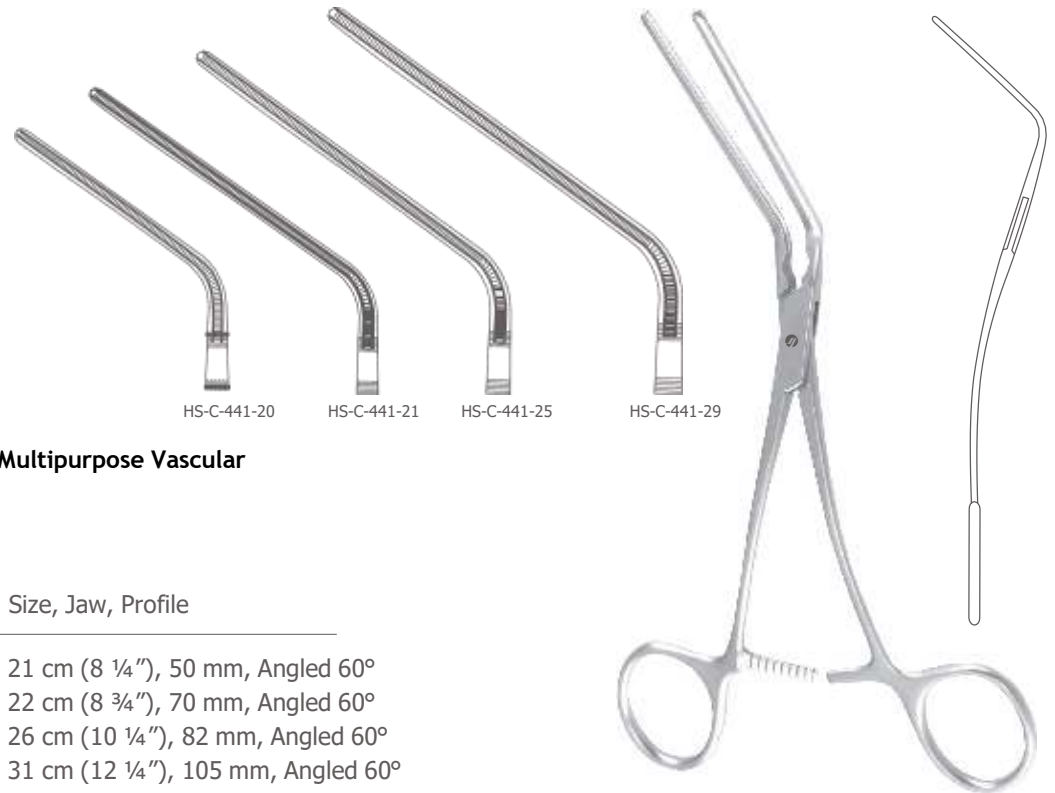
Catalog #	Size, Jaw, Profile
HS-C-439-18	18 cm (7"), 50 mm, Angled 90°
HS-C-439-19	18.5 cm (7 ¼"), 69 mm, Angled 90°
HS-C-439-23	21.5 cm (8 ½"), 87 mm, Angled 90°
HS-C-439-27	25.5 cm (10"), 108 mm, Angled 90°



HAGGAI

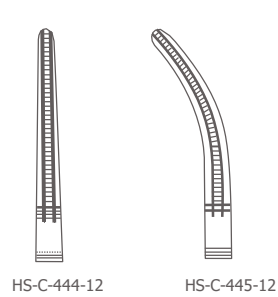
SURGICAL INTERNATIONAL

Cardiovascular Clamps
Kardiovaskuläre Klemmen
Pinzas cardiovasculares
Pinces cardiovasculaires
Pinze cardiovascolari



DeBaKey Atrauma Multipurpose Vascular Clamp

Catalog #	Size, Jaw, Profile
HS-C-441-20	21 cm (8 ¼"), 50 mm, Angled 60°
HS-C-441-21	22 cm (8 ¾"), 70 mm, Angled 60°
HS-C-441-25	26 cm (10 ¼"), 82 mm, Angled 60°
HS-C-441-29	31 cm (12 ¼"), 105 mm, Angled 60°

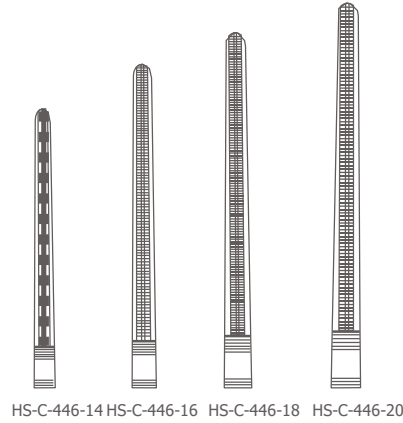


DeBaKey-Mosquito Atrauma Hemostatic Forcep

Catalog #	Size, Profile
HS-C-444-12	12.5 cm (15"), Straight
HS-C-445-12	12.5 cm (15"), Curved



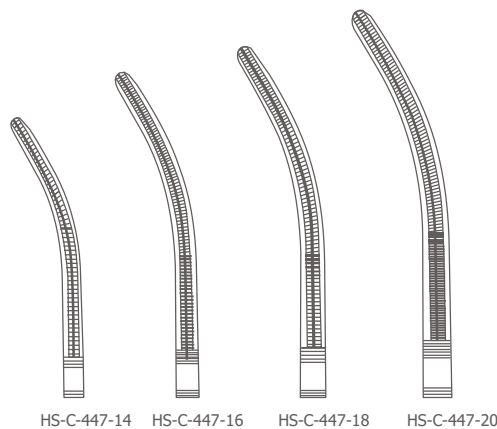
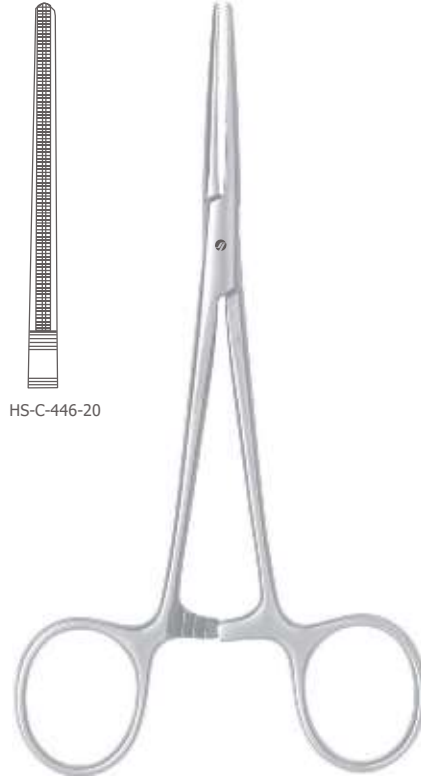
Cardiovascular Clamps
Kardiovaskuläre Klemmen
Pinzas cardiovasculares
Pincés cardiovasculaires
Pinze cardiovascolari



HS-C-446-14 HS-C-446-16 HS-C-446-18 HS-C-446-20

DeBakey-Pean Atrauma Hemostatic Forcep

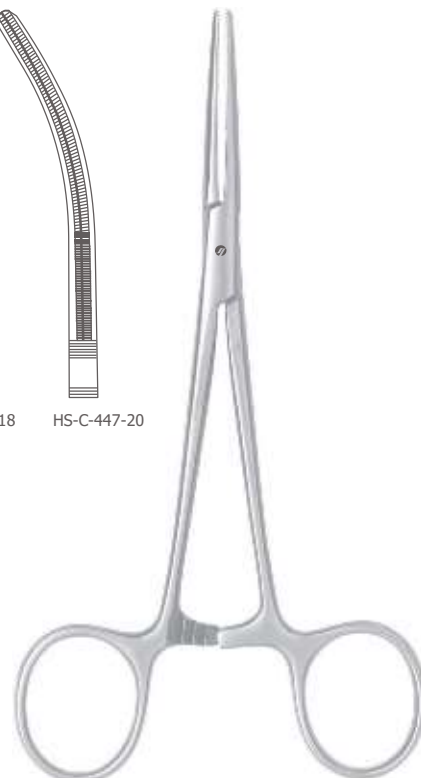
Catalog #	Size, Jaw
HS-C-446-14	14.5 cm (5 ¾"), 40 mm
HS-C-446-16	16.5 cm (6 ½"), 45 mm
HS-C-446-18	18.5 cm (7 ¼"), 50 mm
HS-C-446-20	20.5 cm (8"), 55 mm



HS-C-447-14 HS-C-447-16 HS-C-447-18 HS-C-447-20

DeBakey-Pean Atrauma Hemostatic Forcep

Catalog #	Size, Jaw
HS-C-447-14	14.5 cm (5 ¾"), 40 mm
HS-C-447-16	16.5 cm (6 ½"), 45 mm
HS-C-447-18	18.5 cm (7 ¼"), 50 mm
HS-C-447-20	20.5 cm (8"), 55 mm



HAGGAI

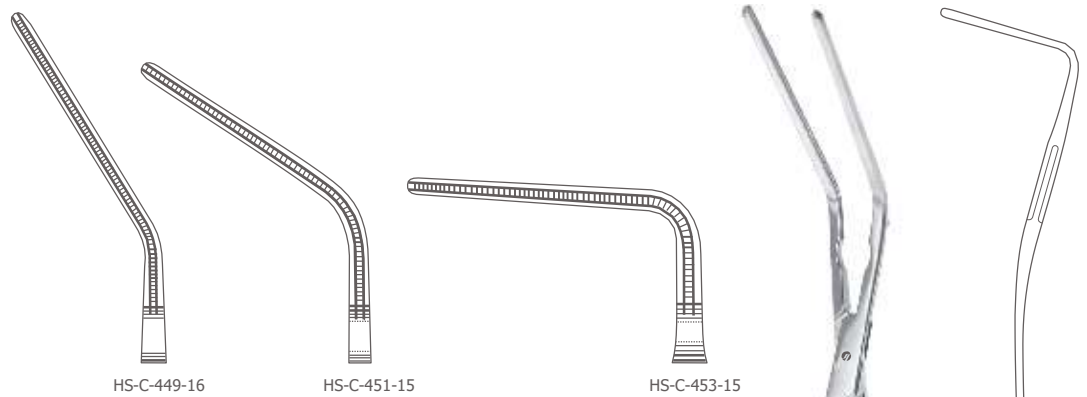
SURGICAL INTERNATIONAL

Cardiovascular Clamps
Kardiovaskuläre Klemmen
Pinzas cardiovasculares
Pinces cardiovasculaires
Pinze cardiovascolari



DeBakey Atrauma Multipurpose Vascular Clamp

Catalog #	Size, Jaw
HS-C-448-17	17 cm (6 3/4"), 50 mm



DeBakey Atrauma Multipurpose Vascular Clamp

Catalog #	Size, Jaw, Profile
HS-C-449-16	16.5 cm (6 1/2"), 30 mm, Angled 30°
HS-C-451-15	16 cm (6 1/4"), 30 mm, Angled 60°
HS-C-453-15	14.5 cm (5 3/4"), 30 mm, Angled 90°



Cardiovascular Clamps
Kardiovaskuläre Klemmen
Pinzas cardiovasculares
Pincés cardiovasculaires
Pinze cardiovascolari

**DeBakey Atrauma Multipurpose Vascular
Clamp**
Angled 15°

Catalog #	Size, Jaw
HS-C-455-17	16.5 cm (6 1/2"), 50 mm



HS-C-457-17

HS-C-459-17

**Glover Atrauma Multipurpose Vascular
Clamp**

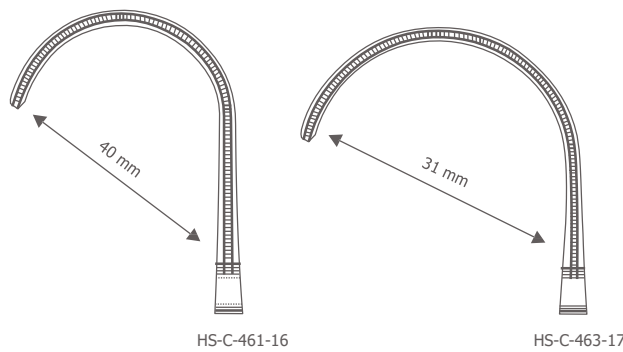
Catalog #	Size, Jaw
HS-C-457-17	17 cm (6 3/4"), 50 mm
HS-C-459-17	17.5 cm (7"), 63 mm



HAGGAI

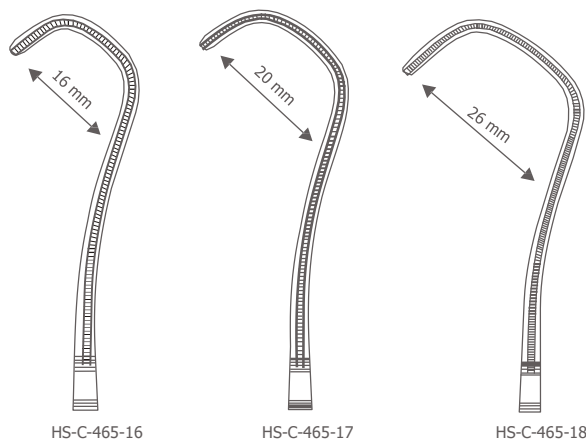
SURGICAL INTERNATIONAL

Cardiovascular Clamps
 Kardiovaskuläre Klemmen
 Pinzas cardiovasculares
 Pincas cardiovasculaires
 Pinze cardiovascolari



DeBakey Atrauma Multipurpose Vascular Clamp

Catalog #	Size, Jaw
HS-C-461-16	16.5 cm (6 1/2"), 40 mm
HS-C-463-17	17 cm (6 3/4"), 31 mm



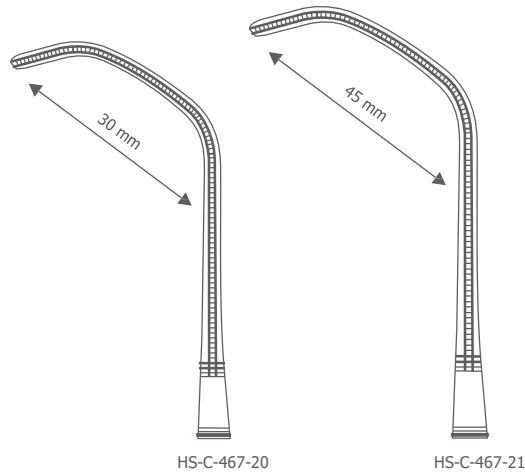
Derra Atrauma Anastomosis Clamp

Catalog #	Size, Jaw, Profile
HS-C-465-16	16.5 cm (6 1/2"), 16 mm, Fig. 1
HS-C-465-17	17 cm (6 3/4"), 20 mm, Fig. 2
HS-C-465-18	18 cm (7"), 26 mm, Fig. 3





Cardiovascular Clamps
Kardiovaskuläre Klemmen
Pinzas cardiovasculares
Pincés cardiovasculaires
Pinze cardiovascolari



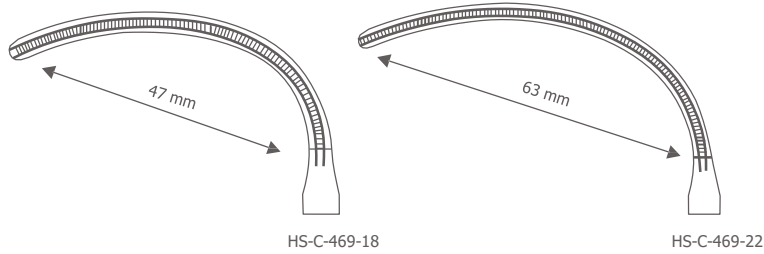
HS-C-467-20

HS-C-467-21



DeBakey-Beck Atrauma Anastomosis Clamp

Catalog #	Size, Jaw
HS-C-467-20	20.5 cm (8"), 30 mm
HS-C-467-21	21 cm (8 1/4"), 45 mm



HS-C-469-18

HS-C-469-22

Glover Atrauma Anastomosis Clamp

Catalog #	Size, Jaw
HS-C-469-18	18 cm (7"), 47 mm
HS-C-469-22	22 cm (8 3/4"), 63 mm



HAGGAI

SURGICAL INTERNATIONAL

Cardiovascular Clamps
Kardiovaskuläre Klemmen
Pinzas cardiovasculares
Pinces cardiovasculaires
Pinze cardiovascolari



DeBakey Atrauma Pediatric Vascular Clamp
Angled 90°

Catalog #	Size, Jaw
HS-C-470-10	10 cm (4"), 40 mm



DeBakey Atrauma Pediatric Vascular Clamp

Catalog #	Size, Jaw
HS-C-471-11	12.5 cm (5"), 53 mm



Cardiovascular Clamps
Kardiovaskuläre Klemmen
Pinzas cardiovasculares
Pinces cardiovasculaires
Pinze cardiovascolari



DeBakey Atrauma Pediatric Vascular Clamp

Catalog #	Size, Jaw
HS-C-473-12	13 cm (5"), 53 mm



DeBakey Atrauma Pediatric Vascular Clamp Curved S-Shaped

Catalog #	Size, Jaw
HS-C-475-12	12.5 cm (5"), 53 mm

HAGGAI

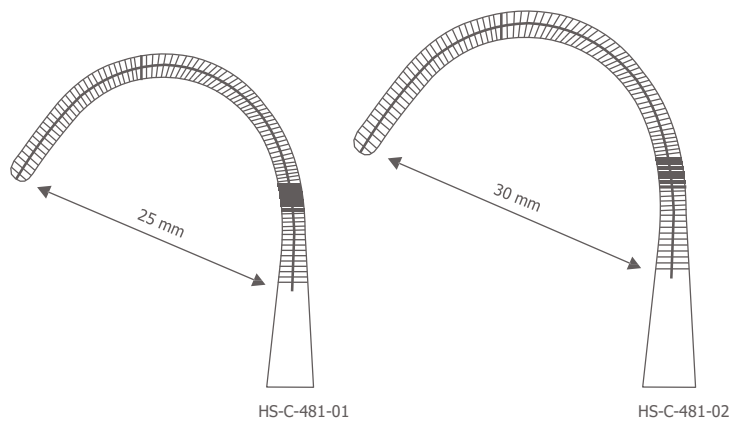
SURGICAL INTERNATIONAL

Cardiovascular Clamps
Kardiovaskuläre Klemmen
Pinzas cardiovasculares
Pinces cardiovasculaires
Pinze cardiovascolari



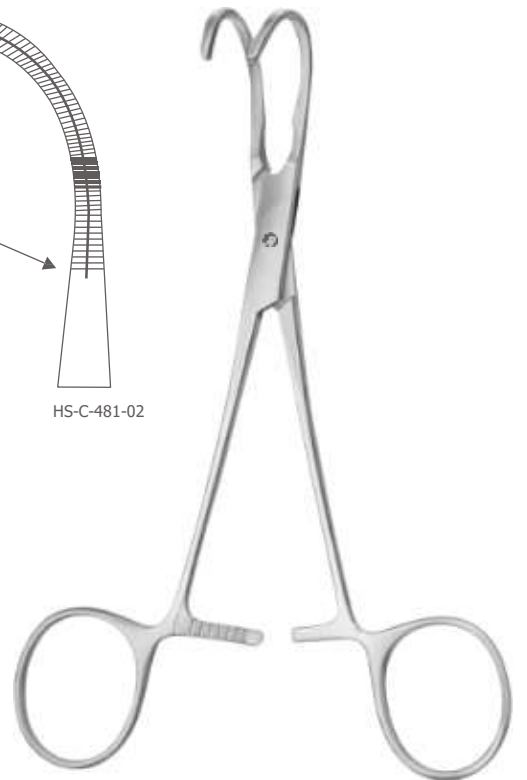
DeBaKey Atrauma Pediatric Vascular Clamp
Angled 45°

Catalog #	Size, Jaw
HS-C-477-13	12.5 cm (5"), 40 mm



Cooley-Beck Atrauma Anastomosis Clamp

Catalog #	Size, Jaw
HS-C-481-01	15 cm (6"), 25 mm
HS-C-481-02	15.5 cm (6"), 30 mm





Cardiovascular Clamps
Kardiovaskuläre Klemmen
Pinzas cardiovasculares
Pincés cardiovasculaires
Pinze cardiovascolari



Cooley Atrauma Pediatric Vascular Clamp
Straight

Catalog #	Size, Jaw
HS-C-482-01	14.5 cm (5 ¾"), 32 mm



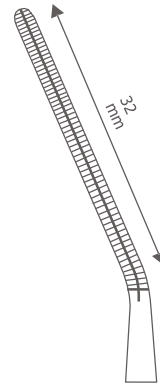
Cooley Atrauma Pediatric Vascular Clamp
Angled 40°

Catalog #	Size, Jaw
HS-C-483-02	14.5 cm (5 ¾"), 32 mm

HAGGAI

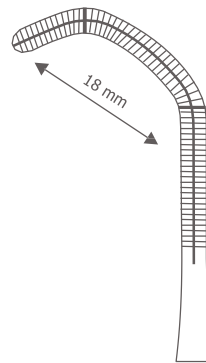
SURGICAL INTERNATIONAL

Cardiovascular Clamps
Kardiovaskuläre Klemmen
Pinzas cardiovasculares
Pincas cardiovasculaires
Pinze cardiovascolari



Cooley Atrauma Pediatric Vascular Clamp

Catalog #	Size, Jaw
HS-C-483-03	14 cm (5 1/2"), 32 mm



Cooley Atrauma Pediatric Vascular Clamp

Catalog #	Size, Jaw
HS-C-483-04	14 cm (5 1/2"), 18 mm



Cardiovascular Clamps
Kardiovaskuläre Klemmen
Pinzas cardiovasculares
Pinces cardiovasculaires
Pinze cardiovascolari



Cooley Atrauma Pediatric Vascular Clamp

Catalog #	Size, Jaw
HS-C-483-05	14.5 cm (5 ¾"), 30 mm



Cooley Atrauma Pediatric Vascular Clamp Curved

Catalog #	Size, Jaw
HS-C-483-06	14 cm (5 ½"), 30 mm

HAGGAI

SURGICAL INTERNATIONAL

Cardiovascular Clamps
Kardiovaskuläre Klemmen
Pinzas cardiovasculares
Pincés cardiovasculaires
Pinze cardiovascolari



Cooley Atrauma Pediatric Vascular Clamp
Angled 90°

Catalog #	Size, Jaw
HS-C-483-07	10 cm (4"), 41 mm



Cooley Atrauma Pediatric Vascular Clamp
Angled 15°

Catalog #	Size, Jaw
HS-C-483-08	12.5 cm (5"), 50 mm



Cardiovascular Clamps
Kardiovaskuläre Klemmen
Pinzas cardiovasculares
Pinces cardiovasculaires
Pinze cardiovascolari



Cooley Atrauma Pediatric Vascular Clamp
Curved

703R

Catalog #	Size, Jaw
HS-C-483-09	12.5 cm (5"), 50 mm



Cooley Atrauma Pediatric Vascular Clamp

Catalog #	Size, Jaw
HS-C-483-10	12.5 cm (5"), 52 mm

HAGGAI

SURGICAL INTERNATIONAL

Cardiovascular Clamps
Kardiovaskuläre Klemmen
Pinzas cardiovasculares
Pinces cardiovasculaires
Pinze cardiovascolari



Cooley Atrauma Pediatric Vascular Clamp

Catalog #	Size, Jaw
HS-C-483-11	12 cm (4 ¾"), 50 mm



Cooley Atrauma Anastomosis Clamp Iliac Clamp

Catalog #	Size, Jaw
HS-C-485-21	22 cm (8 ¾"), 68 mm



Cardiovascular Clamps
Kardiovaskuläre Klemmen
Pinzas cardiovasculares
Pincés cardiovasculaires
Pinze cardiovascolari

Cooley Atrauma Anastomosis Clamp

Catalog #	Size, Jaw
HS-C-488-16	16 cm (6 ¼"), 41 mm
HS-C-488-17	17 cm (6 ¾"), 52 mm



Cooley Atrauma Anastomosis Clamp Carotid Clamp

Catalog #	Size, Jaw
HS-C-491-18	18.5 cm (7 ¼"), 74 mm
HS-C-491-20	20 cm (8"), 86 mm



HAGGAI

SURGICAL INTERNATIONAL

Cardiovascular Clamps
Kardiovaskuläre Klemmen
Pinzas cardiovasculares
Pinces cardiovasculaires
Pinze cardiovascolari



Cooley Atrauma Anastomosis Clamp

Catalog #	Size, Jaw
HS-C-493-17	17 cm (6 ¾"), 17 mm

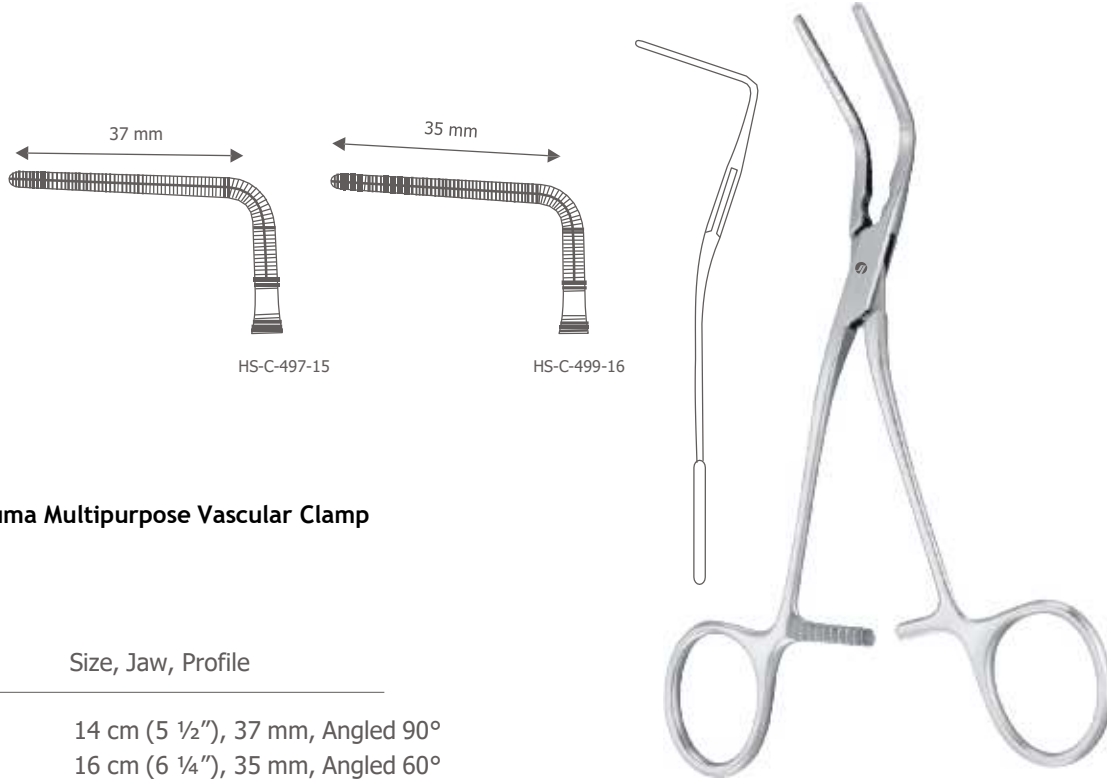


Cooley Atrauma Anastomosis Clamp

Catalog #	Size, Jaw
HS-C-495-16	16 cm (6 ¼"), 20 mm



Cardiovascular Clamps
Kardiovaskuläre Klemmen
Pinzas cardiovasculares
Pinces cardiovasculaires
Pinze cardiovascolari



Cooley Atrauma Multipurpose Vascular Clamp

Catalog #	Size, Jaw, Profile
HS-C-497-15	14 cm (5 1/2"), 37 mm, Angled 90°
HS-C-499-16	16 cm (6 1/4"), 35 mm, Angled 60°



Cooley Atrauma Multipurpose Vascular Clamp

Catalog #	Size, Jaw, Profile
HS-C-501-17	16.5 cm (6 1/2"), 35 mm, Angled 30°
HS-C-503-16	16 cm (6 1/4"), 41 mm
HS-C-503-17	17 cm (6 3/4"), 52 mm

HAGGAI

SURGICAL INTERNATIONAL

Cardiovascular Clamps
Kardiovaskuläre Klemmen
Pinzas cardiovasculares
Pinces cardiovasculaires
Pinze cardiovascolari



Cooley Atrauma Multipurpose Vascular Clamp

Catalog #	Size, Jaw
HS-C-505-17	17 cm (6 ³ / ₄ "), 52 mm

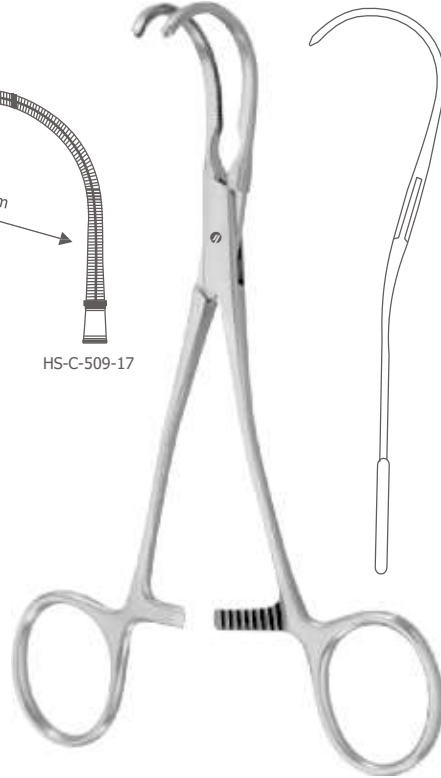
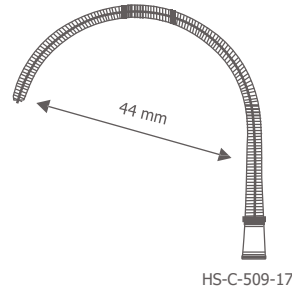
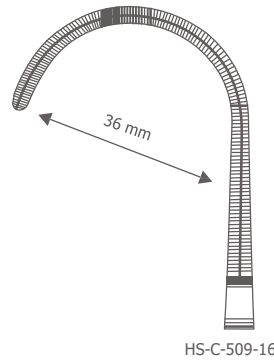


Cooley Atrauma Multipurpose Vascular Clamp

Catalog #	Size, Jaw
HS-C-507-17	17.5 cm (7"), 63 mm

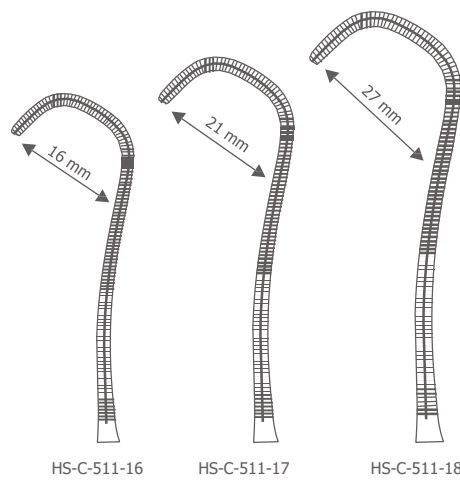


Cardiovascular Clamps
Kardiovaskuläre Klemmen
Pinzas cardiovasculares
Pincés cardiovasculaires
Pinze cardiovascolari



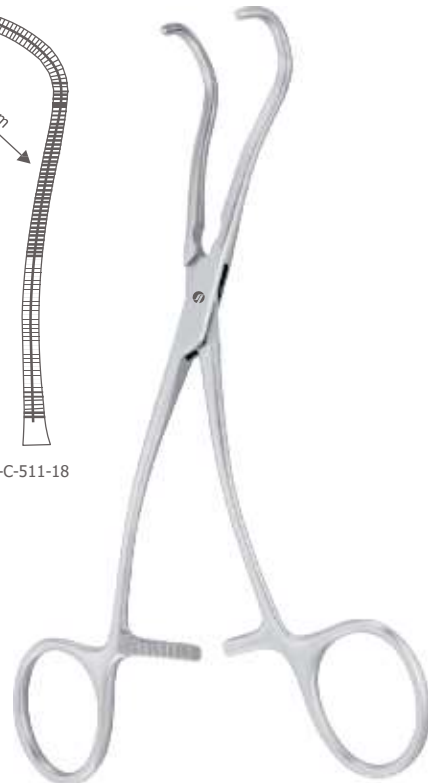
Cooley Atrauma Multipurpose Vascular Clamp

Catalog #	Size, Jaw
HS-C-509-16	16.5 cm (6 1/2"), 36 mm
HS-C-509-17	17 cm (6 3/4"), 44 mm



Cooley-Derra Atrauma Anastomosis Clamp

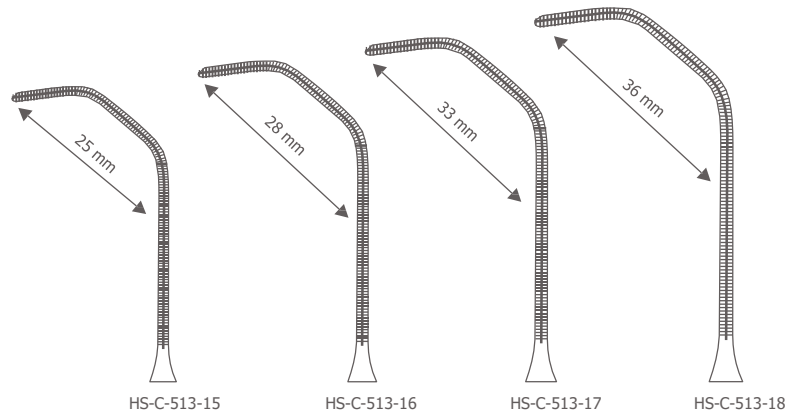
Catalog #	Size, Jaw
HS-C-511-16	16.5 cm (6 1/2"), 16 mm
HS-C-511-17	17 cm (6 3/4"), 21 mm
HS-C-511-18	17.5 cm (7"), 27 mm



HAGGAI

SURGICAL INTERNATIONAL

Cardiovascular Clamps
 Kardiovaskuläre Klemmen
 Pinzas cardiovasculares
 Pincas cardiovasculaires
 Pinze cardiovascolari



HS-C-513-15

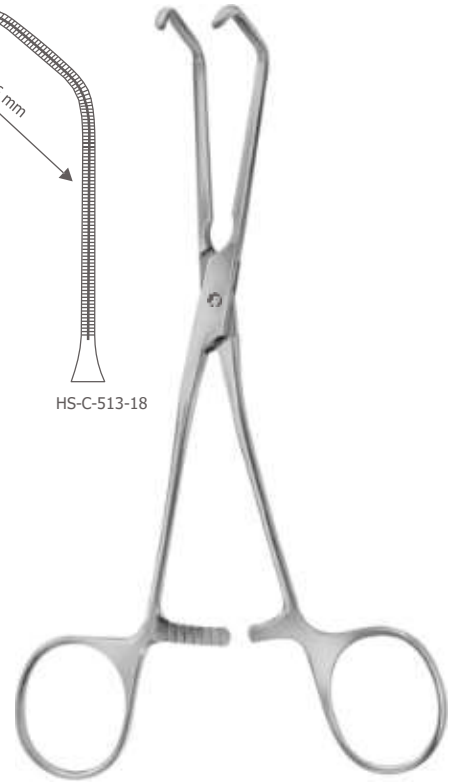
HS-C-513-16

HS-C-513-17

HS-C-513-18

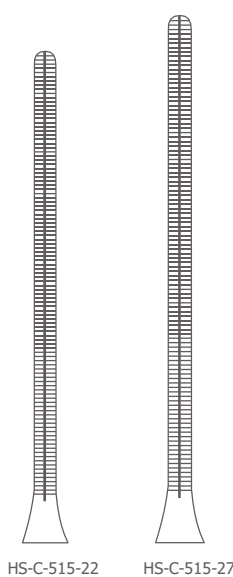
Cooley-Beck Atrauma Anastomosis Clamp

Catalog #	Size, Jaw
HS-C-513-15	16.5 cm (6 1/2"), 25 mm
HS-C-513-16	16.5 cm (6 1/2"), 28 mm
HS-C-513-17	17 cm (6 3/4"), 33 mm
HS-C-513-18	18 cm (7"), 36 mm



Cooley Atrauma Multipurpose Vascular Clamp

Catalog #	Size, Jaw
HS-C-515-22	22.5 cm (8 3/4"), 68 mm
HS-C-515-27	27 cm (10 3/4"), 75 mm



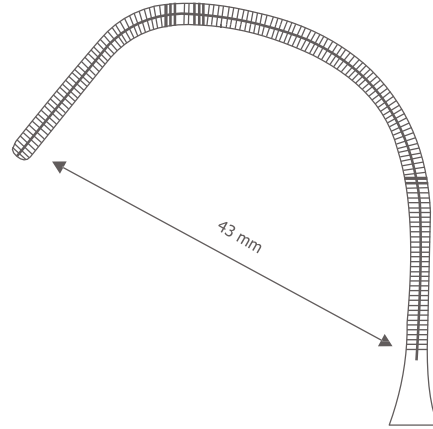
HS-C-515-22

HS-C-515-27





Cardiovascular Clamps
Kardiovaskuläre Klemmen
Pinzas cardiovasculares
Pincés cardiovasculaires
Pinze cardiovascolari



Leitz Atrauma Anastomosis Clamp

Catalog #	Size, Jaw
HS-C-517-20	20.5 cm (8"), 43 mm



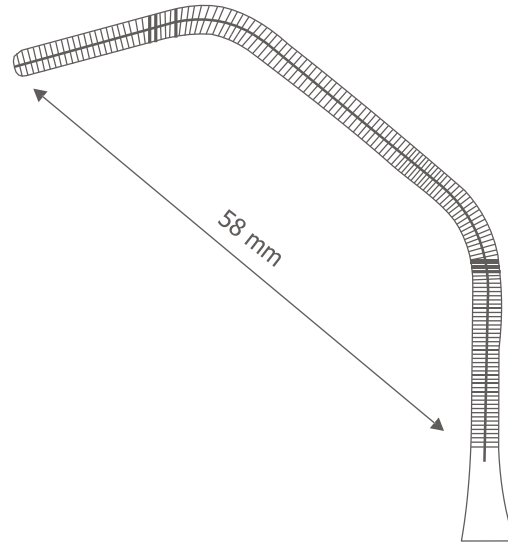
Cooley Atrauma Anastomosis Clamp

Catalog #	Size, Jaw
HS-C-519-26	26 cm (10 1/4"), 108 mm

HAGGAI

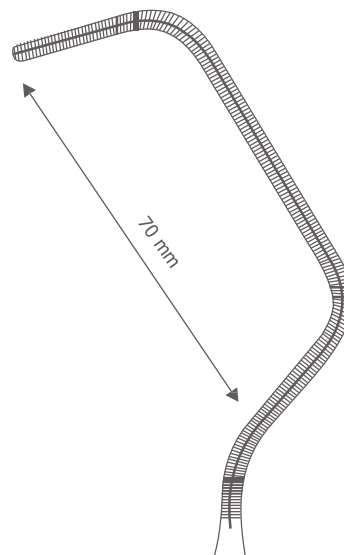
SURGICAL INTERNATIONAL

Cardiovascular Clamps
Kardiovaskuläre Klemmen
Pinzas cardiovasculares
Pinces cardiovasculaires
Pinze cardiovascolari



Cooley Atrauma Anastomosis Clamp

Catalog #	Size, Jaw
HS-C-521-26	26 cm (10 1/4"), 58 mm

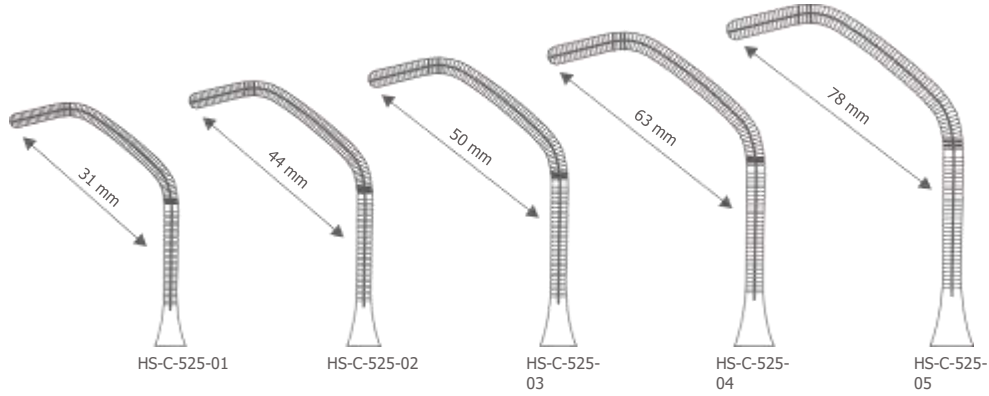


Cooley-Parry Atrauma Anastomosis Clamp

Catalog #	Size, Jaw
HS-C-523-29	29.5 cm (11 1/2"), 70 mm



Cardiovascular Clamps
Kardiovaskuläre Klemmen
Pinzas cardiovasculares
Pincés cardiovasculaires
Pinze cardiovascolari



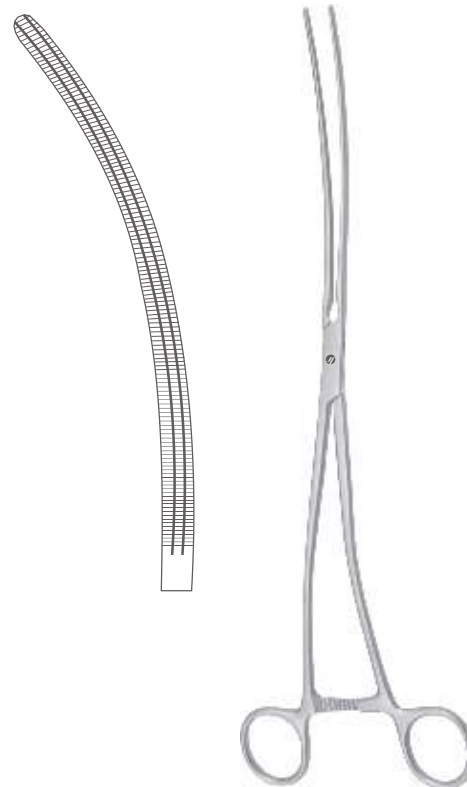
Cooley Atrauma Anastomosis Clamp

Catalog #	Size, Jaw
HS-C-525-01	20.5 cm (8"), 31 mm
HS-C-525-02	26 cm (10 1/4"), 44 mm
HS-C-525-03	26.5 cm (10 1/2"), 50 mm
HS-C-525-04	26.5 cm (10 1/2"), 63 mm
HS-C-525-05	27.5 cm (10 3/4"), 78 mm



Cooley Atrauma Aortic Clamp

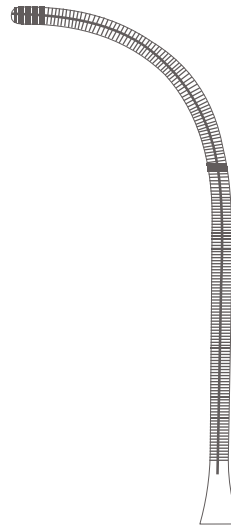
Catalog #	Size, Jaw
HS-C-527-32	32 cm (12 1/2"), 115 mm



HAGGAI

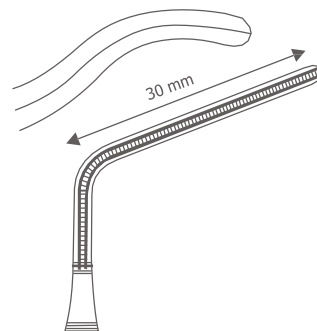
SURGICAL INTERNATIONAL

Cardiovascular Clamps
Kardiovaskuläre Klemmen
Pinzas cardiovasculares
Pinces cardiovasculaires
Pinze cardiovascolari



Cooley Atrauma Multipurpose Vascular Clamp

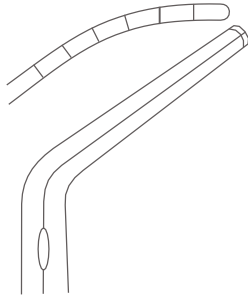
Catalog #	Size, Jaw
HS-C-529-28	28.5 cm (11 1/4"), 82 mm



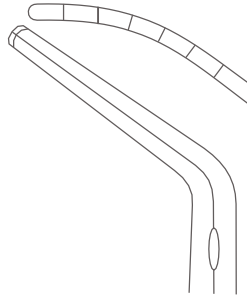
Subramanian-Miniature Atrauma Aortic Clamp Angled 135°

Catalog #	Size, Jaw
HS-C-535-15	15.5 cm (6"), 30 mm

Cardiovascular Clamps
Kardiovaskuläre Klemmen
Pinzas cardiovasculares
Pincés cardiovasculaires
Pinze cardiovascolari



HS-C-537-01

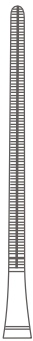


HS-C-537-02

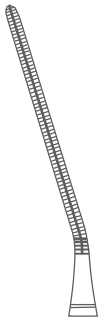


Subramanian Atrauma Aortic Clamp

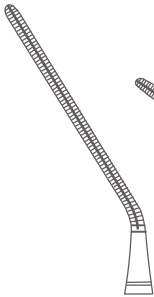
Catalog #	Size
HS-C-537-01	16 cm (6 1/4")
HS-C-537-02	16 cm (6 1/4")



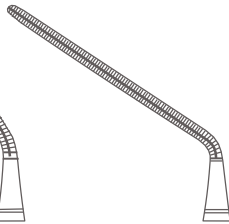
HS-C-541-01



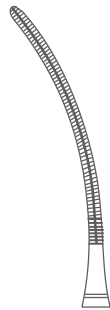
HS-C-541-02



HS-C-541-03



HS-C-541-04



HS-C-541-05

Cooley Atrauma Pediatric Clamp

Fig. 1, Straight

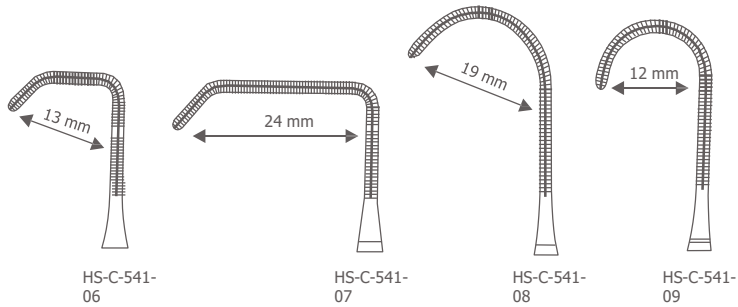
Catalog #	Size, Jaw, Profile
HS-C-541-01	13.5 cm (5 1/4"), 50 mm, Fig. 1, Straight
HS-C-541-02	13.5 cm (5 1/4"), 33 mm, Fig. 2, Angled 30°
HS-C-541-03	14 cm (5 1/2"), 31 mm, Fig. 3, Angled 45°
HS-C-541-04	13.5 cm (5 1/4"), 31 mm, Fig. 4, Angled 60°
HS-C-541-05	13.5 cm (5 1/4"), 50 mm, Fig. 5, Curved



HAGGAI

SURGICAL INTERNATIONAL

Cardiovascular Clamps
 Kardiovaskuläre Klemmen
 Pinzas cardiovasculares
 Pincas cardiovasculaires
 Pinze cardiovascolari



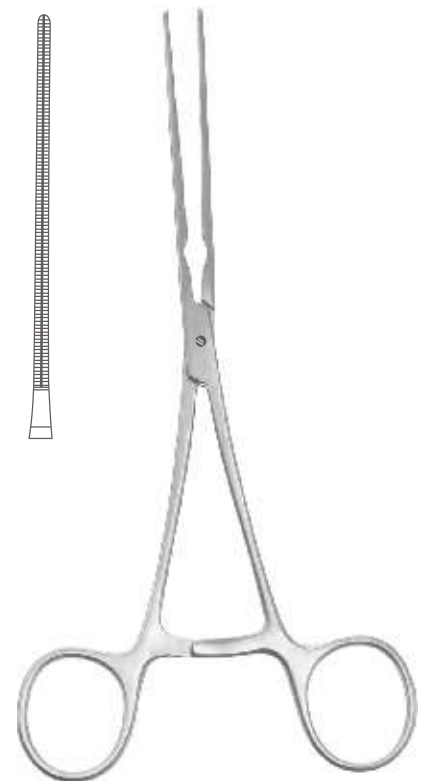
Cooley Atrauma Pediatric Clamp

Catalog #	Size, Jaw, Profile
HS-C-541-06	12.5 cm (5"), 13 mm, Fig. 6
HS-C-541-07	13.5 cm (5 1/4"), 24 mm, Fig. 7
HS-C-541-08	13.5 cm (5 1/4"), 19 mm, Fig. 8
HS-C-541-09	13.5 cm (5 1/4"), 12 mm, Fig. 9



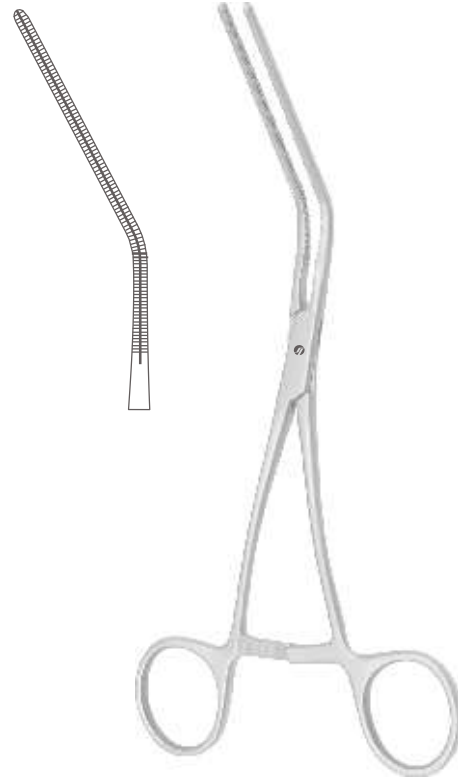
Cooley Atrauma Pediatric Clamp

Catalog #	Size, Jaw
HS-C-544-16	16.5 cm (6 1/2"), 52 mm





Cardiovascular Clamps
Kardiovaskuläre Klemmen
Pinzas cardiovasculares
Pinces cardiovasculaires
Pinze cardiovascolari



Cooley Atrauma Pediatric Clamp

Catalog #	Size, Jaw
HS-C-545-16	16 cm (6 1/4"), 35 mm



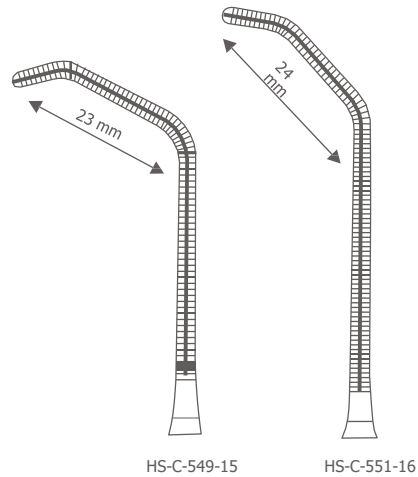
Cooley Atrauma Pediatric Clamp Angled 60°

Catalog #	Size, Jaw
HS-C-547-16	15.5 cm (6"), 40 mm
HS-C-547-17	17 cm (7 3/4"), 52 mm
HS-C-547-18	18.5 cm (7 1/4"), 70 mm

HAGGAI

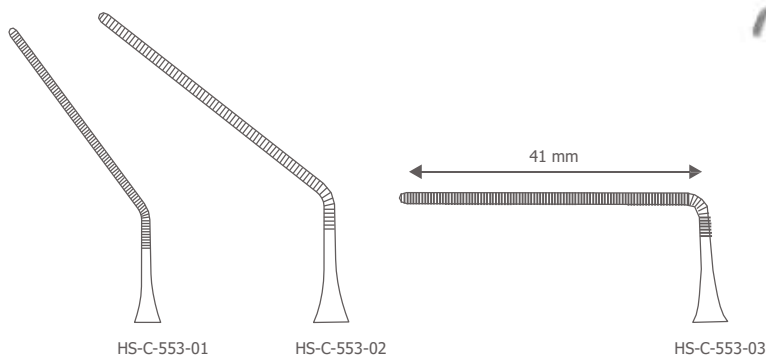
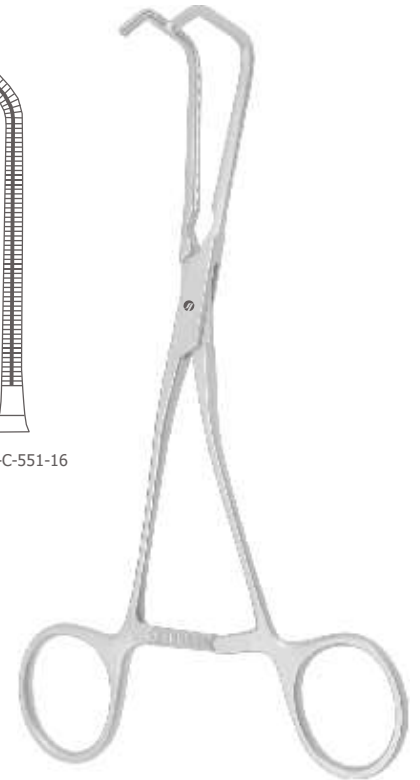
SURGICAL INTERNATIONAL

Cardiovascular Clamps
 Kardiovaskuläre Klemmen
 Pinzas cardiovasculares
 Pincas cardiovasculaires
 Pinze cardiovascolari



Cooley Atrauma Pediatric Clamp

Catalog #	Size, Jaw
HS-C-549-15	15.5 cm (6"), 23 mm
HS-C-551-16	16 cm (6 1/4"), 24 mm



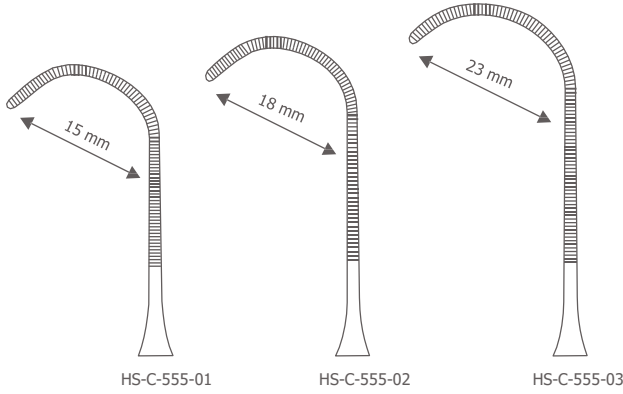
Castaneda Atrauma Neonatal Vascular Clamp

Catalog #	Size, Jaw, Profile
HS-C-553-01	12.5 cm (5"), 33 mm, Angled 30°
HS-C-553-02	11.5 cm (4 1/2"), 31 mm, Angled 45°
HS-C-553-03	11 cm (4 1/4"), 41 mm, Angled 90°



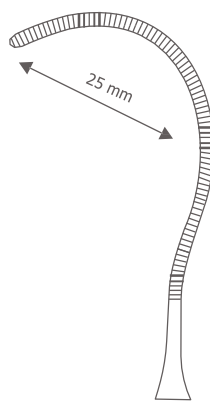


Cardiovascular Clamps
Kardiovaskuläre Klemmen
Pinzas cardiovasculares
Pincés cardiovasculaires
Pinze cardiovascolari



Castaneda Atrauma Neonatal Vascular Clamp

Catalog #	Size, Jaw
HS-C-555-01	11.5 cm (4 1/2"), 15 mm
HS-C-555-02	12 cm (4 3/4"), 18 mm
HS-C-555-03	12 cm (4 3/4"), 23 mm



Castaneda Atrauma Neonatal Vascular Clamp

Catalog #	Size, Jaw
HS-C-557-04	12 cm (4 3/4"), 25 mm



HAGGAI

SURGICAL INTERNATIONAL

Vascular Dilators
Gefäßdilatoren
Dilatadores vasculares
Dilatateurs vasculaires
Dilatatori vascolari

Tubbs Aortic Dilator With Fixation Screw



Catalog #	Size, Spread
HS-C-601-00	Standard, 8 - 42 mm

Cooley Vascular Dilator Set of 8 Ref: HS-C-612-05 to HS-C-612-50

Catalog #	Size
HS-C-610-00	Standard



Cooley Vascular Dilator Malleable

Catalog #	Size, Diameter
HS-C-612-05	13 cm (5"), Ø 0.5 mm
HS-C-612-10	13 cm (5"), Ø 1.0 mm
HS-C-612-15	13 cm (5"), Ø 1.5 mm
HS-C-612-20	13 cm (5"), Ø 2.0 mm
HS-C-612-25	13 cm (5"), Ø 2.5 mm
HS-C-612-30	13 cm (5"), Ø 3.0 mm
HS-C-612-40	13 cm (5"), Ø 4.0 mm
HS-C-612-50	13 cm (5"), Ø 5.0 mm



DeBaKey Vascular Dilators Set of 12 Ref: HS-C-622-05 to HS-C-622-90

Catalog #	Size
HS-C-620-00	Standard





Vascular Dilators
Gefäßdilatoren
Dilatadores vasculares
Dilatateurs vasculaires
Dilatatori vascolari

DeBakey Vascular Dilator

Malleable



Catalog #	Size, Diameter
HS-C-622-05	19 cm (7 1/2"), Ø 0.5 mm
HS-C-622-10	19 cm (7 1/2"), Ø 1.0 mm
HS-C-622-15	19 cm (7 1/2"), Ø 1.5 mm
HS-C-622-20	19 cm (7 1/2"), Ø 2.0 mm
HS-C-622-25	19 cm (7 1/2"), Ø 2.5 mm
HS-C-622-30	19 cm (7 1/2"), Ø 3.0 mm
HS-C-622-35	19 cm (7 1/2"), Ø 3.5 mm
HS-C-622-40	19 cm (7 1/2"), Ø 4.0 mm
HS-C-622-45	19 cm (7 1/2"), Ø 4.5 mm
HS-C-622-50	19 cm (7 1/2"), Ø 5.0 mm
HS-C-622-70	19 cm (7 1/2"), Ø 7.0 mm
HS-C-622-90	19 cm (7 1/2"), Ø 9.0 mm

Garret Vascular Dilators

Set of 9 Ref: HS-C-632-10 to HS-C-632-50

Catalog #	Size
HS-C-630-00	Standard

Garret Vascular Dilator

Malleable



Catalog #	Size, Diameter
HS-C-632-10	14 cm (5 1/2"), Ø 1.0 mm
HS-C-632-15	14 cm (5 1/2"), Ø 1.5 mm
HS-C-632-20	14 cm (5 1/2"), Ø 2.0 mm
HS-C-632-25	14 cm (5 1/2"), Ø 2.5 mm
HS-C-632-30	14 cm (5 1/2"), Ø 3.0 mm
HS-C-632-35	14 cm (5 1/2"), Ø 3.5 mm
HS-C-632-40	14 cm (5 1/2"), Ø 4.0 mm
HS-C-632-45	14 cm (5 1/2"), Ø 4.5 mm
HS-C-632-50	14 cm (5 1/2"), Ø 5.0 mm

HAGGAI

SURGICAL INTERNATIONAL

Vascular Dilators
Gefäßdilatoren
Dilatadores vasculares
Dilatateurs vasculaires
Dilatatori vascolari

Garret Vascular Dilators

Set of 9 Ref: HS-C-642-00 to HS-C-642-50

Catalog #	Size
HS-C-642-00	Standard



Garret Vascular Dilator

Malleable

Catalog #	Size, Diameter
HS-C-642-10	22 cm (8 3/4"), Ø 1.0 mm
HS-C-642-15	22 cm (8 3/4"), Ø 1.5 mm
HS-C-642-20	22 cm (8 3/4"), Ø 2.0 mm
HS-C-642-25	22 cm (8 3/4"), Ø 2.5 mm
HS-C-642-30	22 cm (8 3/4"), Ø 3.0 mm
HS-C-642-35	22 cm (8 3/4"), Ø 3.5 mm
HS-C-642-40	22 cm (8 3/4"), Ø 4.0 mm
HS-C-642-45	22 cm (8 3/4"), Ø 4.5 mm
HS-C-642-50	22 cm (8 3/4"), Ø 5.0 mm



Martin Vascular Tunneling Set

Set Contents

- 1 - Handle for Tunneling Set
- 2 - Tunneling Shafts x 3
- 3 - Tunneling Tip x 4 (6 mm, 8 mm, 10 mm, 12 m)
- 4- Vein Tip x 1
- 5 -Luer Adapter
- 6 - Storage Case Stainless



Catalog #	Size
HS-C-700-00	Standard

Universal Handle for Martin Tunneling Set

Catalog #	Size
HS-C-702-01	12.5 cm (5")

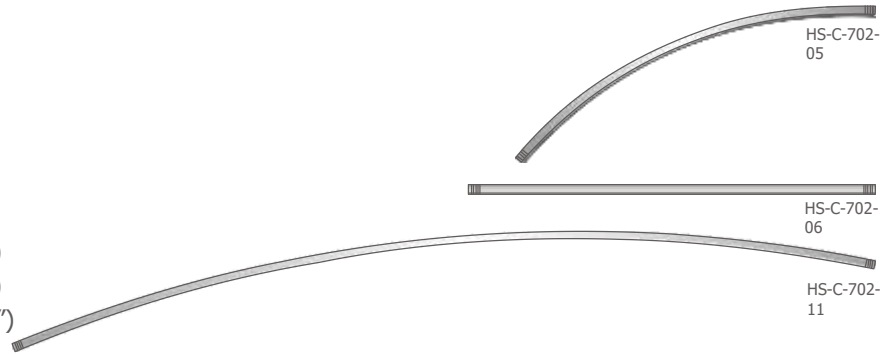




Fasciotomy Knife, Fasciotomy Spatulas
 Fasziotomiemesser, Fasziotomiespatel
 Cuchillo para fasciotomía, Espátulas para fasciotomía
 Couteau pour fasciotomie, Spatule pour fasciotomie
 Bisturi per fasciotomia, Spatole per fasciotomia

Tunneling Shaft

Catalog #	Size
HS-C-702-05	24.5 cm (9 3/4")
HS-C-702-06	24.5 cm (9 3/4")
HS-C-702-11	55.5 cm (21 3/4")



Screw Olive Tip

Catalog #	Size, Diameter						
HS-C-702-55	Standard, Ø 5.0 mm						
HS-C-702-56	Standard, Ø 6.0 mm						
HS-C-702-57	Standard, Ø 7.0 mm						
HS-C-702-58	Standard, Ø 8.0 mm						
HS-C-702-60	Standard, Ø 10.0 mm						
HS-C-702-62	Standard, Ø 12.0 mm						

Vein Tip

Catalog #	Size
HS-C-702-65	Standard



Luer Adapter

Catalog #	Size
HS-C-702-70	Standard



HAGGAI

SURGICAL INTERNATIONAL

Fasciotomy Knife, Fasciotomy Spatulas, Intima Spatulas
 Fasziotomiemesser, Fasziotomiespatel, Intimaspatel
 Cuchillo para fasciotomía, Espátulas para fasciotomía, Espátulas para la íntima
 Couteau pour fasciotomie, Spatule pour fasciotomie, Spatules pour la tunique
 interne Bisturi per fasciotomia, Spatole per fasciotomia, Spatole per intima

Wrench



Catalog #	Size
HS-C-702-99	10 cm (4")

Hach Fasciotomy Knife

Ferrozell Handle

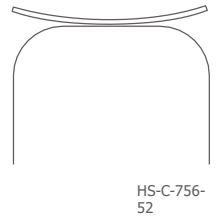
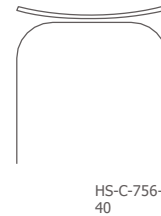


Catalog #	Size
HS-C-751-01	30 cm (11 3/4")

Hach Fasciotomy Spatula



Catalog #	Size, Blade Size
HS-C-756-25	30 cm (11 3/4"), 25 mm
HS-C-756-32	30 cm (11 3/4"), 32 mm
HS-C-756-40	30 cm (11 3/4"), 40 mm
HS-C-756-52	30 cm (11 3/4"), 52 mm



Intima Spatula

Blunt



Catalog #	Size
HS-C-771-18	18.5 cm (7 1/4")
HS-C-771-21	21.5 cm (8 1/2")



Intima Spatula

Blunt



Catalog #	Size
HS-C-773-14	14 cm (5 1/2")
HS-C-773-24	23.5 cm (9 1/4")





Vascular Dissectors, Tourniquets
Gefäßdissektoren, Tourniquets
Disecadores vasculares, Tourniquetes
Dissecteurs vasculaires, Tourniquets
Dissettori vascolari, Tornichetti

Robb Vascular Dissector

Catalog #	Size, Blade Size 1, Blade 2 Diameter , Profile		
HS-C-775-01	24 cm (9 1/2"), 5 mm, Ø 2.5 mm, Fig. 1		
HS-C-775-02	24 cm (9 1/2"), 4 mm, Ø 2.0 mm, Fig. 2		
HS-C-775-03	24 cm (9 1/2"), 3 mm, Ø 1.5 mm , Fig. 3		
HS-C-775-04	24 cm (9 1/2"), 2 mm, Ø 1.0 mm , Fig. 4		

Ligature Catcher

Catalog #	Size, Hook Size	
HS-C-790-15	26 cm (10 1/4"), 1.5 mm	
HS-C-790-20	26 cm (10 1/4"), 2.0 mm	
HS-C-790-25	26 cm (10 1/4"), 2.5 mm	
HS-C-790-30	26 cm (10 1/4"), 3.0 mm	

Rumel-Belmont Tourniquet

Catalog #	Size, Diameter
HS-C-794-27	27 cm (10 3/4"), Ø 3.2 mm



Rumel-Belmont Tourniquet

Catalog #	Size, Diameter
HS-C-796-30	30.5 cm (12"), Ø 6.4 mm





Alphabetical Index

A

	Page
Allison Lung Spatula	10

B

Baby-Satinsky Anastomosis Clamp	12
Bailey Rib Contractor	10
Bailey-Baby Rib Contractor	10
Bailey-Gibbon Rib Contractor	10
Bainbridge Atrauma Multipurpose Vascular Clamp	30
Bethune Rib Shear	1
Bone Shear	1
Brunner Rib Shear	2
Burford Rib Spreader	4

C

Cooley	
Atrauma Anastomosis Clamp	55-57, 62-64
Atrauma Aortic Clamp	64
Atrauma Multipurpose Vascular Clamp	58-61, 65
Atrauma Pediatric Vascular Clamp	50-55, 66-69
Catheter Clamp	23
Rib Spreader	3
Vascular Dilator	71
Cooley-Beck Atrauma Anastomosis Clamp	49, 61
Cooley-Derra Atrauma Anastomosis Clamp	60
Cooley-Parry Atrauma Anastomosis Clamp	63

D

Dale Atrauma Peripheral Vascular Clamp	21-22
Dardik Atrauma Multipurpose Vascular Clamp	20-21
DeBakey	
Atrauma Anastomosis Clamp,	38
Atrauma Aortic Aneurysm Clamp,	31
Atrauma Aortic Clamp,	25, 32
Atrauma Bulldog Clamp,	14-15
Atrauma Dissecting and Ligature Forcep,	28
Atrauma Multipurpose Vascular Clamp,	30, 40-41, 43-45
Atrauma Pediatric Vascular Clamp,	47-49
Atrauma Peripheral Vascular Clamp,	29
Vascular Dilator	71, 72

D

	Page
DeBakey-Bahnon Atrauma Aneurysm Clamp	39
DeBakey-Beck Atrauma Anastomosis Clamp	46
DeBakey-McQuigg-Mixer Atrauma Dissecting & Ligature Forcep	19
DeBakey-Mixer Atrauma Dissecting & Ligature Forcep	18
DeBakey-Mosquito Atrauma Hemostatic Forcep	17, 41
DeBakey-Pean Atrauma Hemostatic Forcep	42
DeBakey-Rankin Atrauma Hemostatic Forcep	17
DeBakey-Rumel Atrauma Dissecting & Ligature Forcep	76
DeBakey-Satinsky Atrauma Bulldog Clamp	15
DeBakey-Wylie Atrauma Peripheral Vascular Clamp	24
Derra Atrauma Anastomosis Clamp	45
Diethrich Atrauma Aortic Clamp	20

F

Finochietto Rib Spreader	4, 6
Finochietto (Modif) Rib Spreader	4
Finochietto-Baby Rib Spreader	3, 5
Finochietto-Infant Rib Spreader	3

G

Garret Vascular Dilator	72-73
Gergory Atrauma Bulldog Clamp	16
Gergory-Soft Atrauma Bulldog Clamp	16
Giertz-Stille Rib Shear	2
Glover	
Atrauma Anastomosis Clamp	46
Atrauma Bulldog Clamp	15-16
Atrauma Multipurpose Vascular Clamp	44
Gluck Rib Shear	1
Gregory Atrauma Profunda Clamp	22

H

Hach Facsotomy Knife	75
Hach Facsotomy Spatula	75
Haight Rib Spreader	5
Harken Atrauma Auricle Clamp	35
Hopt Atrauma Kidney & Pancreas Clamp	34
Husfeldt Atrauma Peripheral Vascular Clamp	25



Alphabetical Index

I

	Page
I.M.A Mammaria Retractor	9
I.M.A Mammaria Retractor (French Pattern)	9
Intima Spatula	75

J

	Page
Javid Carotid Shunt Clamp	23

L

Lambert-Kay Atrauma Anastomosis Clamp	37
Lebsche Sternum Chisel	2
Lees Atrauma Bronchus Clamp	36-37
Leitz Atrauma Anastomosis Clamp	62
Leland-Jones Atrauma Peripheral Vascular Clamp	29
Ligature Catcher	76
Lovelace Lung Grasping Forcep	14

M

Martin Vascular Tunneling Set	73
Mercedes Thoracic Retractor	8
Morris-DeBakey Atrauma Aortic Clamp	38
Morse Rib Spreader	5
Morse-Favaloro Rib Spreader	5

O

Ochsner Atrauma Aortic Clamp	19
------------------------------	----

P

Potts	
Atrauma Anastomosis Clamp	27
Atrauma Coarctation Clamp	26-27
Atrauma Multipurpose Vascular Clamp	39-40
Price-Thomas Bronchus Clamp	11

R

	Page
Robb Vascular Dissector	76
Rumel-Belmont Tourniquet	76

S

	Page
Santulli Atrauma Bulldog Clamp	16
Satinsky	
Anastomosis Clamp	12-13
Atrauma Tangential Occlusion Clamp	34-35
Sauerbruch Rib Shear	1
Sellors Rib Contractor	9
Semb Bronchus Clamp	13
Subramanian Atrauma Aortic Clamp	66
Subramanian-Miniature Atrauma Aortic Clamp	65

T

	Page
Tubbs Aortic Dilator	71
Tuffier Rib Spreader	5

W

	Page
Weber Atrauma Aortic Clamp,	33
Wrench,	75
Wylie Atrauma Aortic Aneurysm Clamp,	33
Wylie Atrauma Aortic Clamp,	24



HAGGAI





SURGICAL INTERNATIONAL



HAGGAI

SURGICAL



 Saddar Cantt Dhalay Sialkot 51310 Punjab Pakistan
telephone: (052) 4354217  +92 3246042419 / +92 3246042453
 www.haggaisurgical.com  haggaisurgical@gmail.com